



**BCS Motor mowers, BCS 2-wheel tractors**

# **Two-wheel tractor 728 PS**

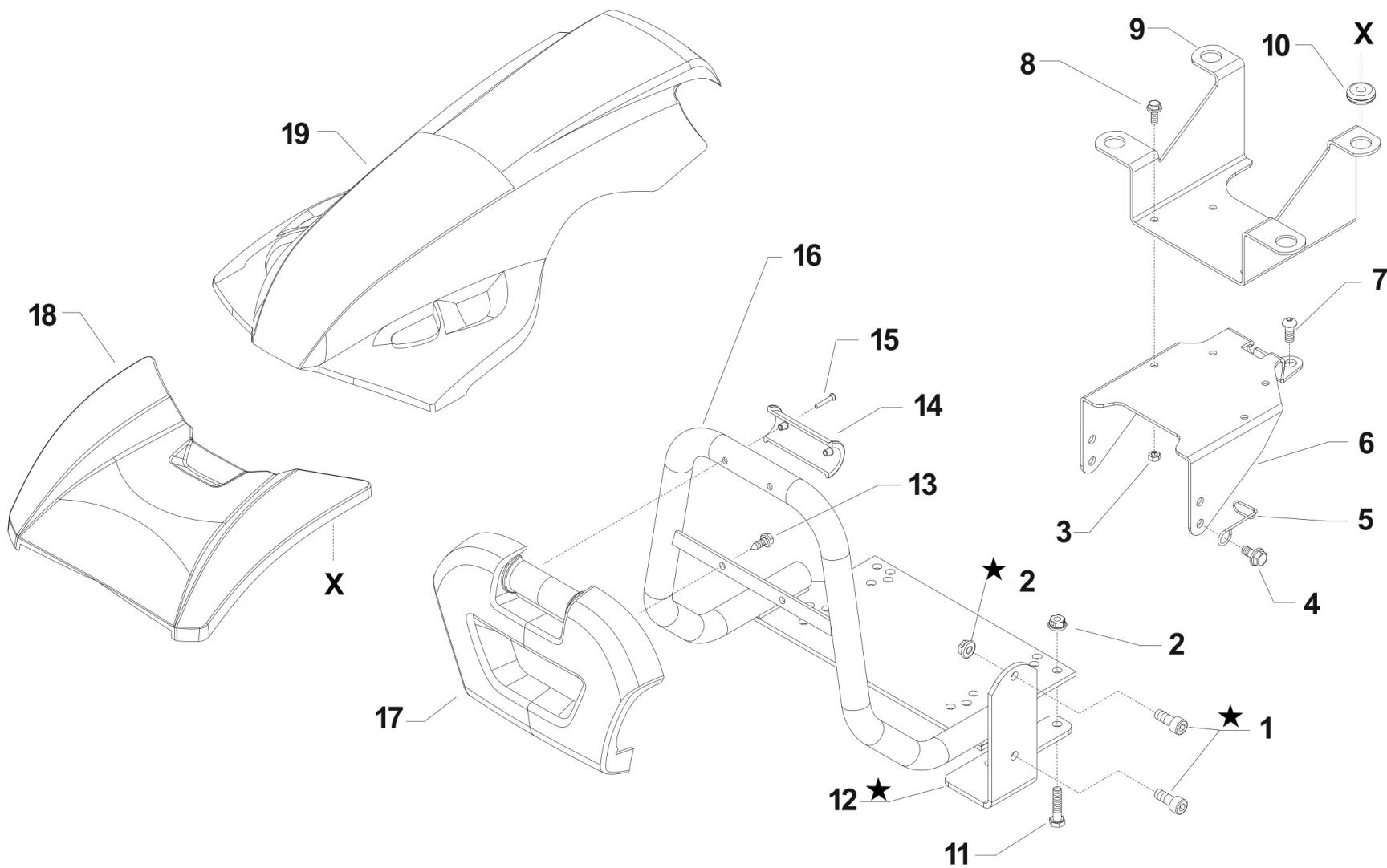
01/09/2021

A70001 - Two-wheel tractor 728 PS.....	4
A.01.01.A0001_02 - A01_03 - ENGINE PROTECTIONES.....	7
A.01.01.A0001_03 - A01_03 - ENGINE PROTECTIONES.....	9
B.01.01.A0001_03 - POWERSAFE CLUCH CONTROL.....	11
B.01.01.A0001_04 - POWERSAFE CLUCH CONTROL.....	13
B.01.01.A0001_05 - POWERSAFE CLUCH CONTROL.....	15
C01_0_116836 - CYLINDER AND POWERSAFE CLUTCH.....	17
C01_1_125029 - CYLINDER AND POWERSAFE CLUTCH.....	19
C.01.01.A0001_02 - CYLINDER AND POWERSAFE CLUTCH.....	21
D.01.01.A0001_02 - POWERSAFE FILTER AND UNIT.....	23
D.01.01.A0001_03 - POWERSAFE FILTER AND UNIT.....	25
E01_1_132337 - POWERSAFE CLUTCH HUB.....	27
E.01.01.A0001_02 - POWERSAFE CLUTCH HUB.....	29
E.01.01.A0001_03 - POWERSAFE CLUTCH HUB.....	31
F01_1_132354 - ENGINE FLANGES.....	33
F.01.01.A0001_02 - ENGINE FLANGES.....	35
G.01.01.A0001_01 - GEARBOX.....	37
H.07.01.A0001_00 - GEARS (728_738).....	39
H.07.01.A0001_01 - GEARS (728_738).....	42
H.07.01.A0001_02 - GEARS (728_738).....	45
I01_0_117154 - WHEELS AXLE.....	48
J.02.01.A0001_01 - STEERING COLUMN.....	50
K.02.01.A0001_01 - HANDLEBAR.....	52
L02_0_117612 - HANDLEBAR CONTROLS.....	54
L.02.01.A0001_01 - HANDLEBAR CONTROLS.....	57
M.02.01.A0001_01 - CONTROLS.....	60
M.02.01.A0001_02 - CONTROLS.....	63
N.01.01.A.0001_01 - BRAKE.....	66
P01_1_132651 - WHEELS.....	68



Q01_1_136416 - ELECTRIC STARTER.....	70
R01_0_117889 - STICKERS.....	72
R.02.01.A0001_03 - STICKERS.....	74
S.01.01.A0001_00 - ENGINE COVER KIT.....	76



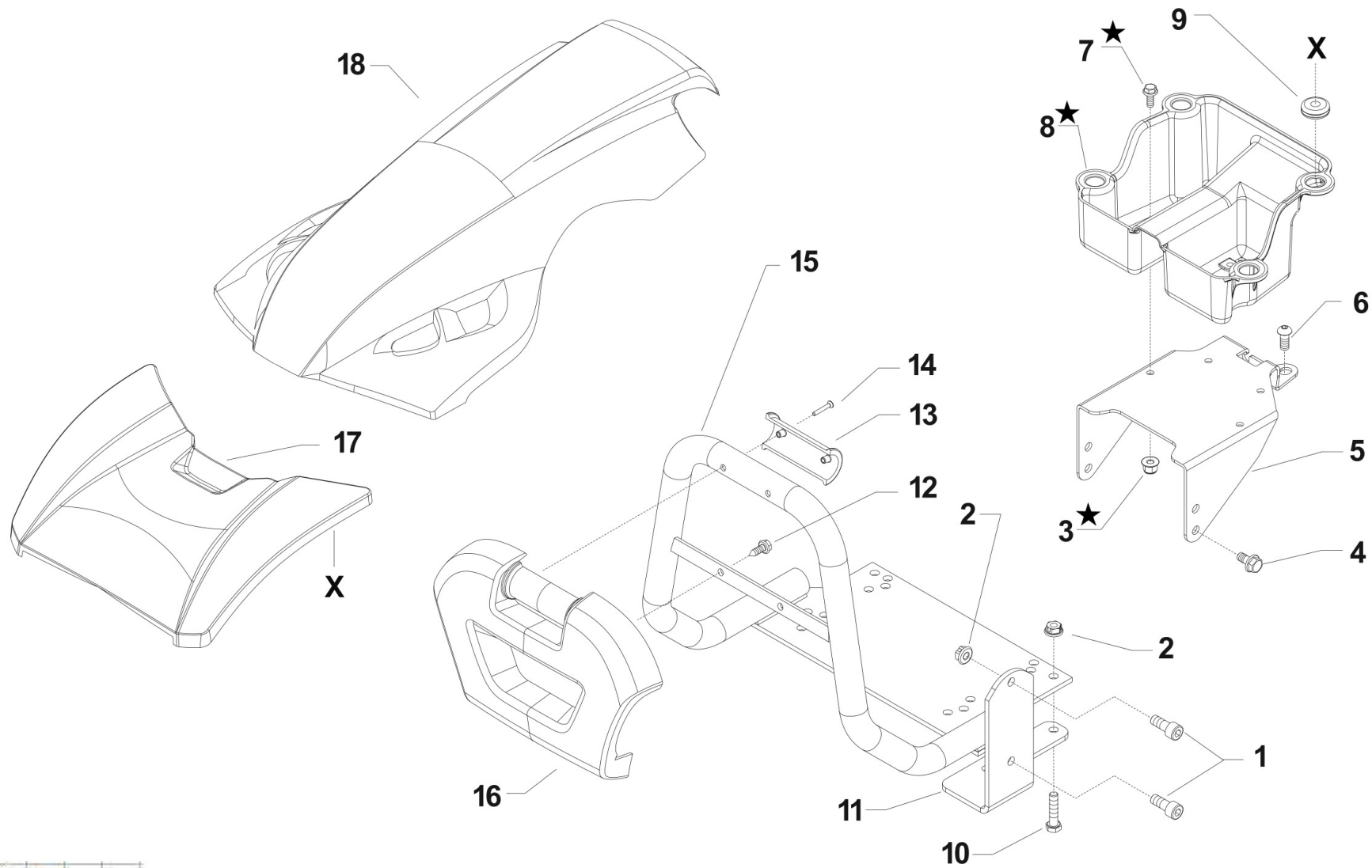


**i** = info - stop 2 sec. ★ = new part



Pos.	Id	Q.ty	Description	Note
1	31152081		SCREW TCEI M8X20 UNI 5931	KD350
2	31241084		SELFLOCK NUT M8 6S	KD350
3	31241060		HEXAGON SELFLOCK NUT M6	720 - 728 - 730 - 730ED - 738
4	31112171		SCREW TE C/F M8X16 DIN 6921	
5	58057266		HOLDER	
6	56156246N		TUNNEL	
7	31121008		SCREW TBCEI M10X16 ISO 7380	
8	31112085		SCREW TE M6X16 DIN 6921 8G	720 - 728 - 730 - 730ED - 738
9	56157399		HOLDER	720 - 728 - 730 - 730ED - 738
10	58056991		CABLE GLAND 90/200/30	720 - 728 - 730 - 730ED - 738
11	31112154		SCREW TE M8X40 UNI 5739 8G	
12	56156136Z		BUMPER FIXING SUPPORT	KD350
13	31510100		RIBBED SCREW 6,3X19 UNI 6950	
14	55257522		HALF BEARING	
15	31100451		SCREW 3,5X25	
16	59053021H		BUMPER C.15LD-ACT-GX ALUM.	GX270 - GX340
16	59053040H		ALU COMPLETE BUMPER GX160-200	GX160 - GX200 - EX21
16	59056127H		BUMPER FOR 740	L70
17	55257521		BCS FRONT PLASTIC DESCRIPTION MC 2010	
18	55257621		GUARD	720 - 728 - 730 - 730ED - 738
19	55257620		GUARD	720 - 728 - 730 - 730ED - 738



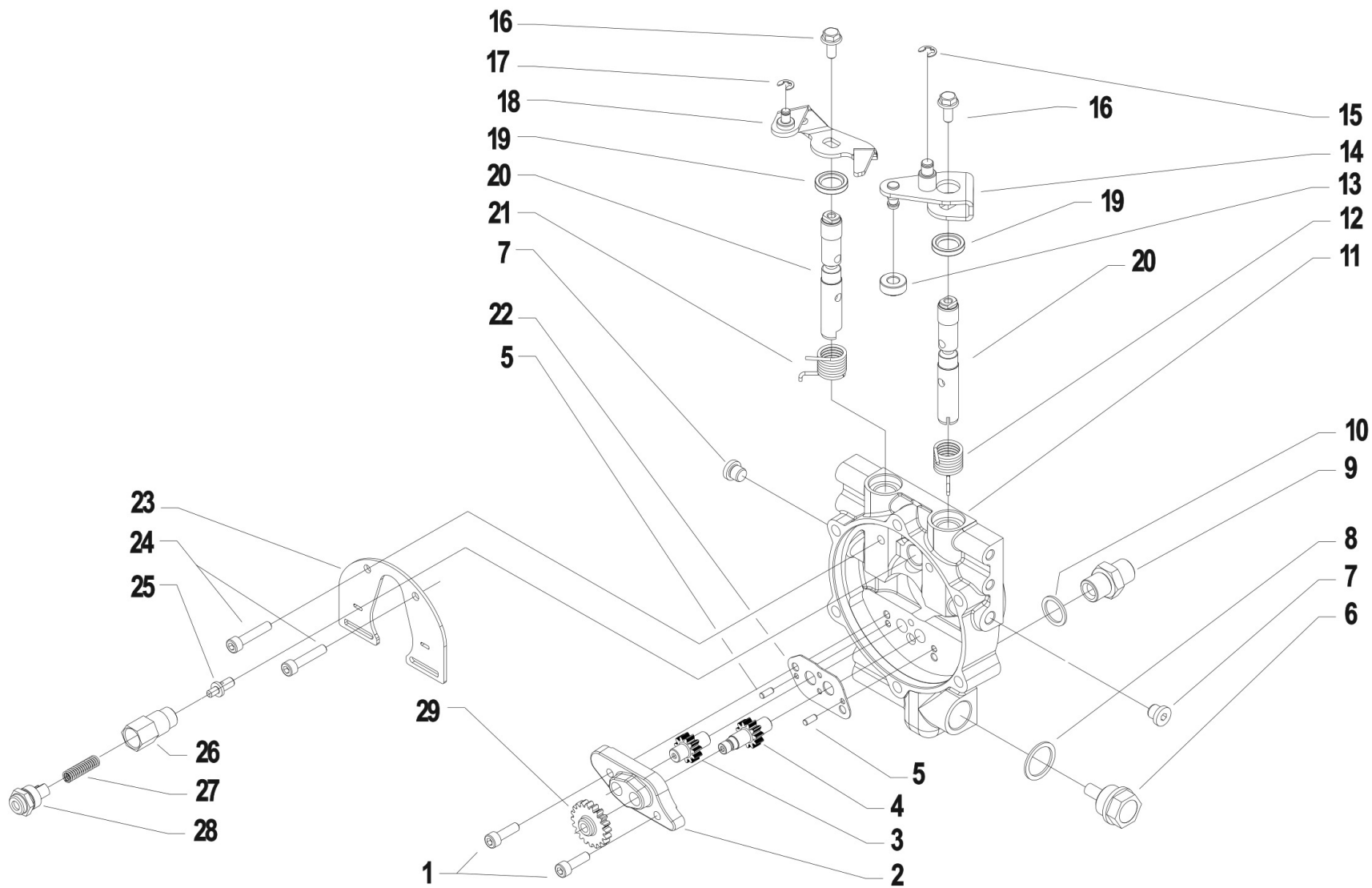



**i** = info - stop 2 sec. ★ = new part



Pos.	Id	Q.ty	Description	Note
1	31152081		SCREW TCEI M8X20 UNI 5931	KD350
2	31241084		SELFLOCK NUT M8 6S	
3	31241066		SELFLOCK M6 FL NY DIN 6926	
4	31112171		SCREW TE C/F M8X16 DIN 6921	
5	56156246N		TUNNEL	
6	31121008		SCREW TBCEI M10X16 ISO 7380	
7	31112081		SCREW TE C/F M6X20 DIN 6921 8G	
8	552C1001		FAIRINGS BOX	REPLACES 56157399
9	58056991		CABLE GLAND 90/200/30	
10	31112154		SCREW TE M8X40 UNI 5739 8G	
11	56156136Z		BUMPER FIXING SUPPORT	KD350
12	31510100		RIBBED SCREW 6,3X19 UNI 6950	
13	55257522		HALF BEARING	
14	31100451		SCREW 3,5X25	
15	59053021H		BUMPER C.15LD-ACT-GX ALUM.	GX270 - GX340
15	59053040H		ALU COMPLETE BUMPER GX160-200	GX160 - GX200 - EX21
15	59056127H		BUMPER FOR 740	L70
16	55257521		BCS FRONT PLASTIC DESCRIPTION MC 2010	
17	55257621		GUARD	
18	55257620		GUARD	

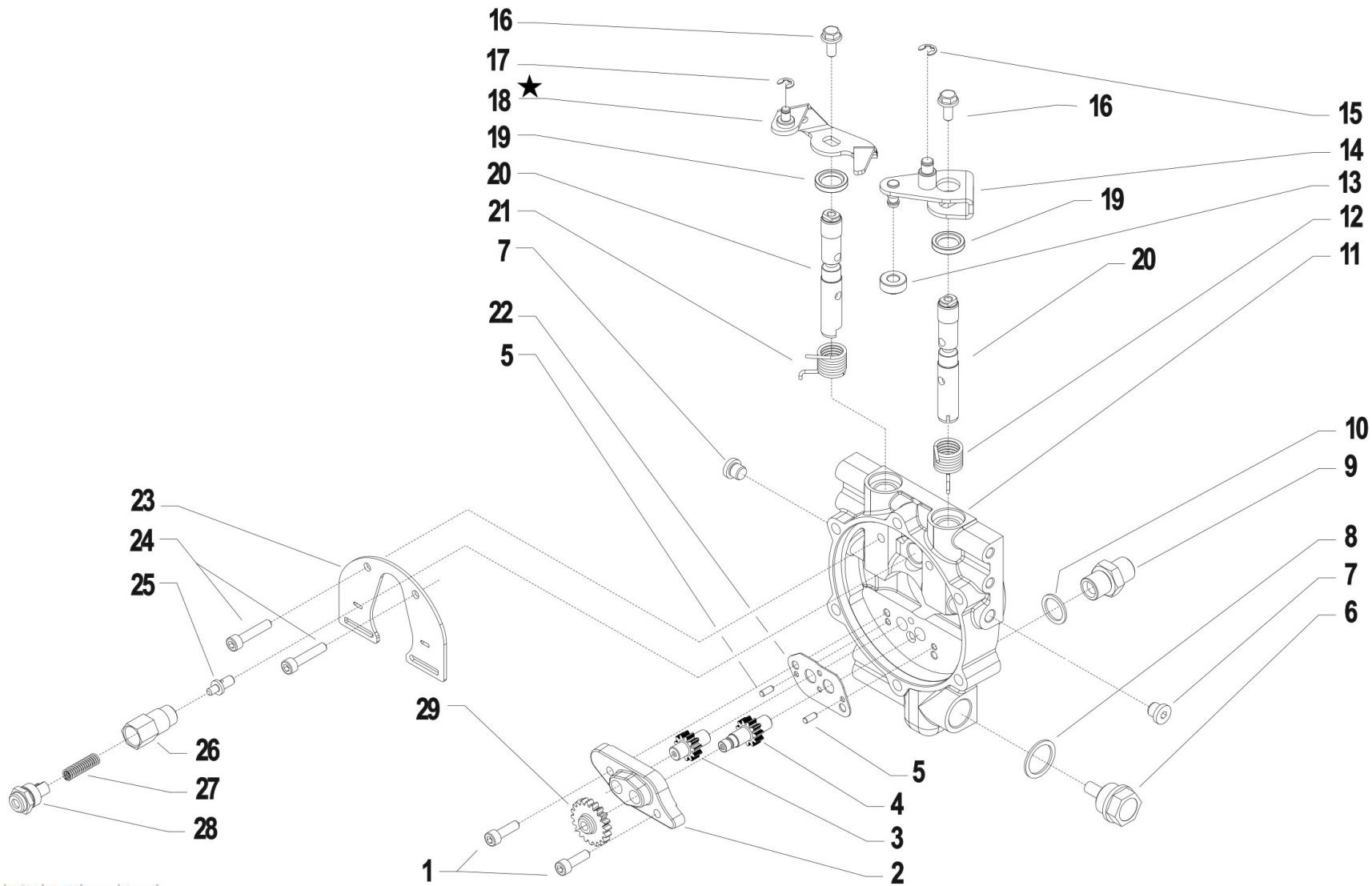






Pos.	Id	Q.ty	Description	Note
1	31152063	1	SCREW TCEI M6X20 UNI 5931	
2	51156214	1	COVER	
3	52456217	1	DRIVEN GEAR	
4	52456223	1	GEAR	
5	34221040	1	CYLINDRICAL PLUG	
6	58170021	1	PLUG	
7	580C0041	1	PLUG	
8	F0844273090	1	GASKET 22X28X1,5 CU 99,5	
9	30000197	1	NIPPLE	
10	31480184	1	COPPER WASHER 16,7x22/1,5	
11	59256200	1	CLUTCH FLANGE	
12	58056222	1	SPRING	
13	55256228	1	ROLLER	
14	59056225Z	1	CLUTCH LEVER	
15	35211060	1	SEEGER RING E 6 UNI 7434	
16	31112084	1	SCREW TE C/F M6X14 DIN 6921 8G	
17	35211050	1	SEEGER RING E 5 UNI 7434	
18	59056298Z	1	LEVER	Replaces 59056230Z from serial 901289
19	38211400	1	OIL SEAL 14X22X4	
20	52456220	1	DISTRIBUTOR	
21	58056221	1	SPRING	
22	56356661	1	COUNTERWEIGHT	
23	56156224	1	SHIELD	
24	31152060	1	SCREW TCEI M6X30 UNI 5931	
25	56456657	1	VALVE	
26	56156658	1	VALVE INSERT/INLET	
27	58056683	1	SPRING	Replaces 58056192 from serial number 883609
28	56356242	1	PLUG	
29	52456235	1	PUMP GEAR	



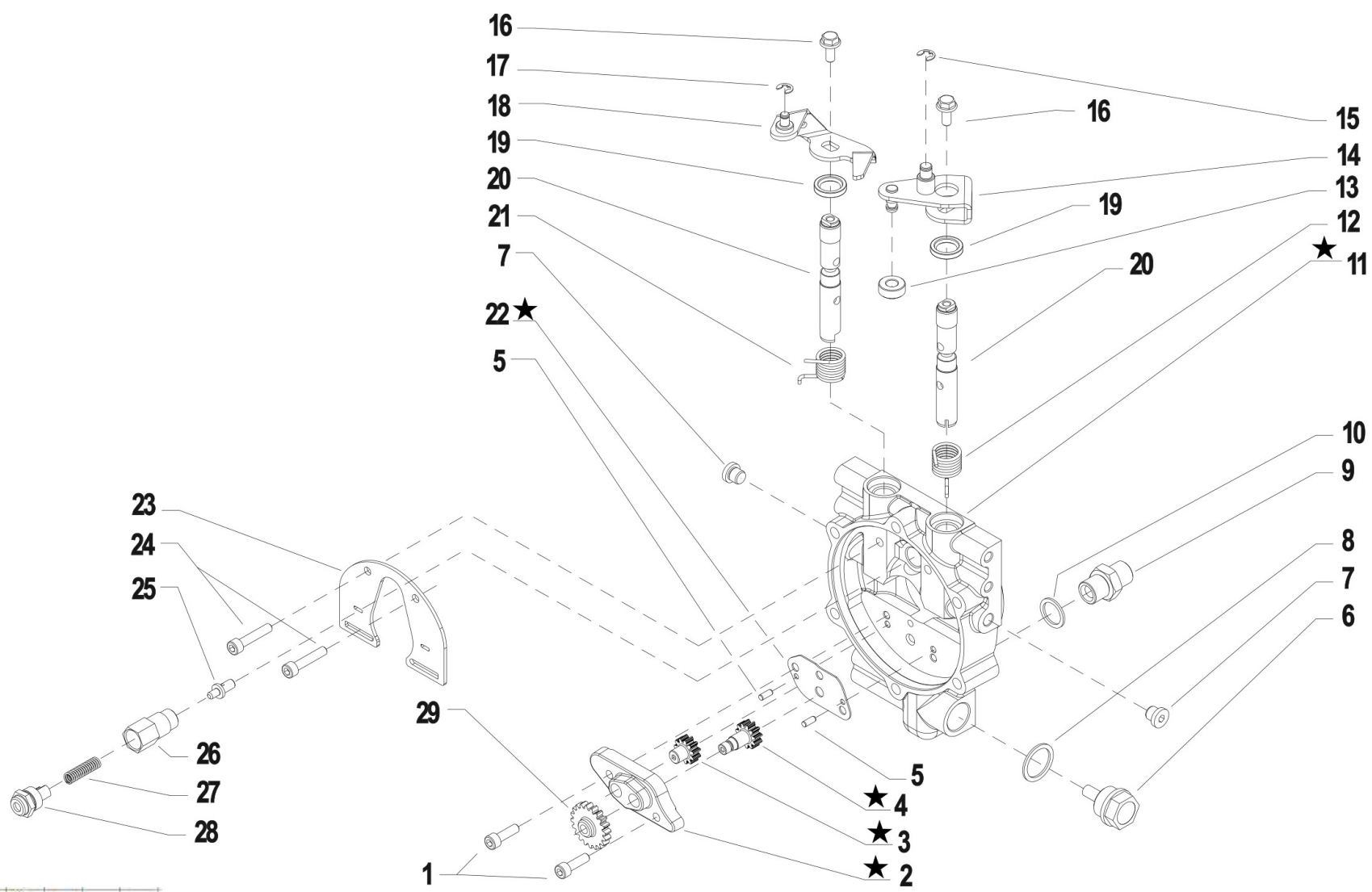


**i** = info - stop 2 sec. = new part



Pos.	Id	Q.ty	Description	Note
1	31152063		SCREW TCEI M6X20 UNI 5931	
2	51156214		COVER	
3	52456217		DRIVEN GEAR	
4	52456223		GEAR	
5	34221040		CYLINDRICAL PLUG	
6	58170021		PLUG	
7	580C0041		PLUG	
8	F0844273090		GASKET 22X28X1,5 CU 99,5	
9	30000197		NIPPLE	
10	31480184		COPPER WASHER 16,7x22/1,5	
11	59256200		CLUTCH FLANGE	
12	58056222		SPRING	
13	55256228		ROLLER	
14	59056225Z		CLUTCH LEVER	
15	35211060		SEEGER RING E 6 UNI 7434	
16	31112084		SCREW TE C/F M6X14 DIN 6921 8G	
17	35211050		SEEGER RING E 5 UNI 7434	
18	59056748Z		COMPLETE STOP LEVER PS GALV.	REPLACES 58056298Z
19	38211400		OIL SEAL 14X22X4	
20	52456220		DISTRIBUTOR	
21	58056221		SPRING	
22	56356661		COUNTERWEIGHT	
23	56156224		SHIELD	
24	31152060		SCREW TCEI M6X30 UNI 5931	
25	56456657		VALVE	
26	56156658		VALVE INSERT/INLET	
27	58056683		SPRING	Replaces 58056192 from serial number 883609
28	56356242		PLUG	
29	52456235		PUMP GEAR	



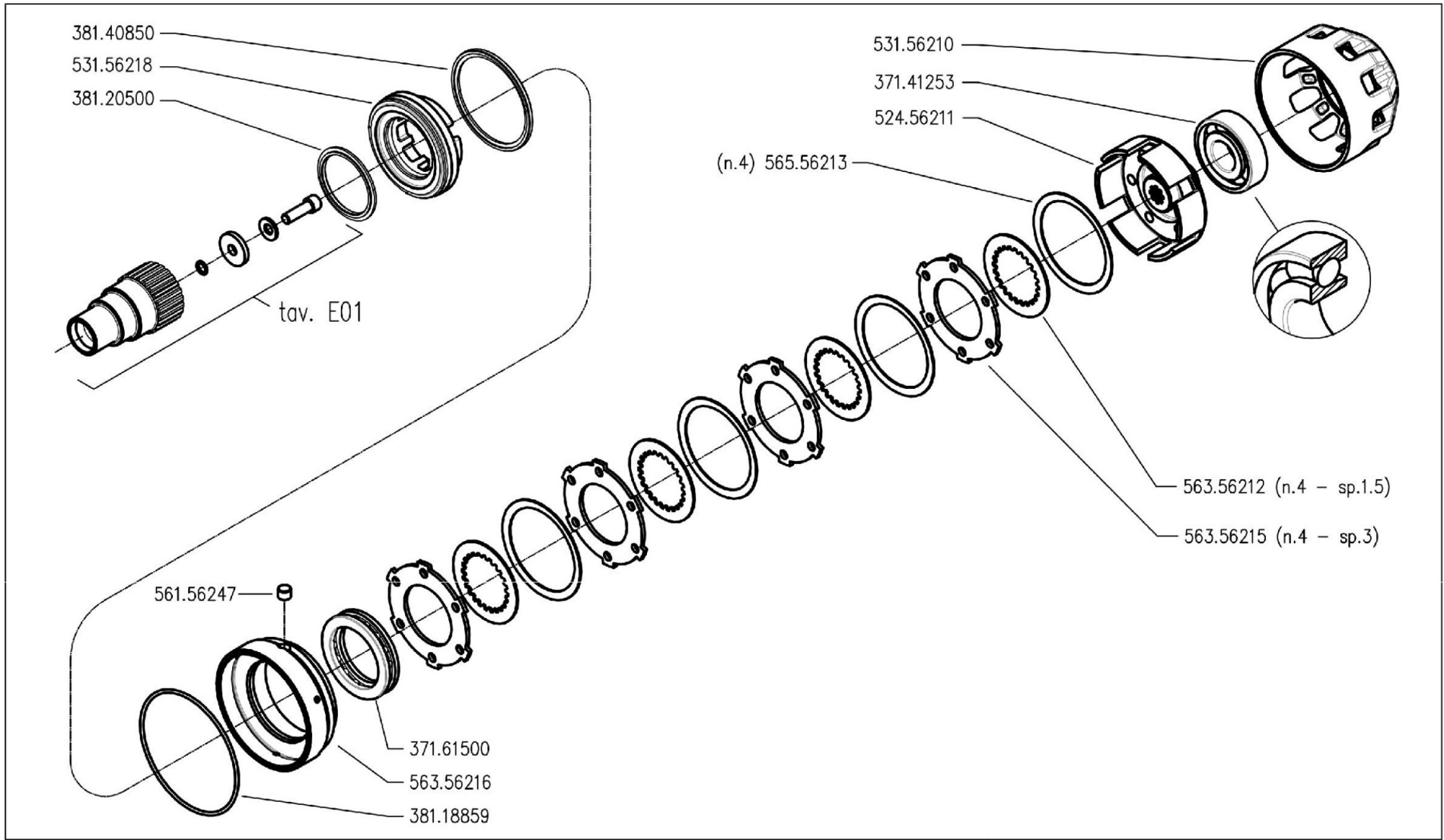


 **i = info - stop 2 sec.**
 **★ = new part**



Pos.	Id	Q.ty	Description	Note
1	31152063		SCREW TCEI M6X20 UNI 5931	
2	56356364		PUMP COVER PS/14	REPLACE 51156214 + 52456217 + 52456223 + 56356661 + 59256200
3	52456371		PUMP GEAR PS/14	REPLACE 51156214 + 52456217 + 52456223 + 56356661 + 59256200
4	52456372		PUMP GEAR	REPLACE 51156214 + 52456217 + 52456223 + 56356661 + 59256200
5	34221040		CYLINDRICAL PLUG	
6	58170021		PLUG	
7	580C0041		PLUG	
8	F0844273090		GASKET 22X28X1,5 CU 99,5	
9	30000197		NIPPLE	
10	31480184		COPPER WASHER 16,7x22/1,5	
11	59256745		POWERSAFE CLUTCH FLANGE	REPLACE 51156214 + 52456217 + 52456223 + 56356661 + 59256200
12	58056222		SPRING	
13	55256228		ROLLER	
14	59056225Z		CLUTCH LEVER	
15	35211060		SEEGER RING E 6 UNI 7434	
16	31112084		SCREW TE C/F M6X14 DIN 6921 8G	
17	35211050		SEEGER RING E 5 UNI 7434	
18	59056748Z		COMPLETE STOP LEVER PS GALV.	
19	38211400		OIL SEAL 14X22X4	
20	52456220		DISTRIBUTOR	
21	58056221		SPRING	
22	56356747		PUMP RECEPTOR PS/14	REPLACE 51156214 + 52456217 + 52456223 + 56356661 + 59256200
23	56156224		SHIELD	
24	31152060		SCREW TCEI M6X30 UNI 5931	
25	56456657		VALVE	
26	56156658		VALVE INSERT/INLET	
27	58056683		SPRING	Replaces 58056192 from serial number 883609
28	56356242		PLUG	
29	52456235		PUMP GEAR	





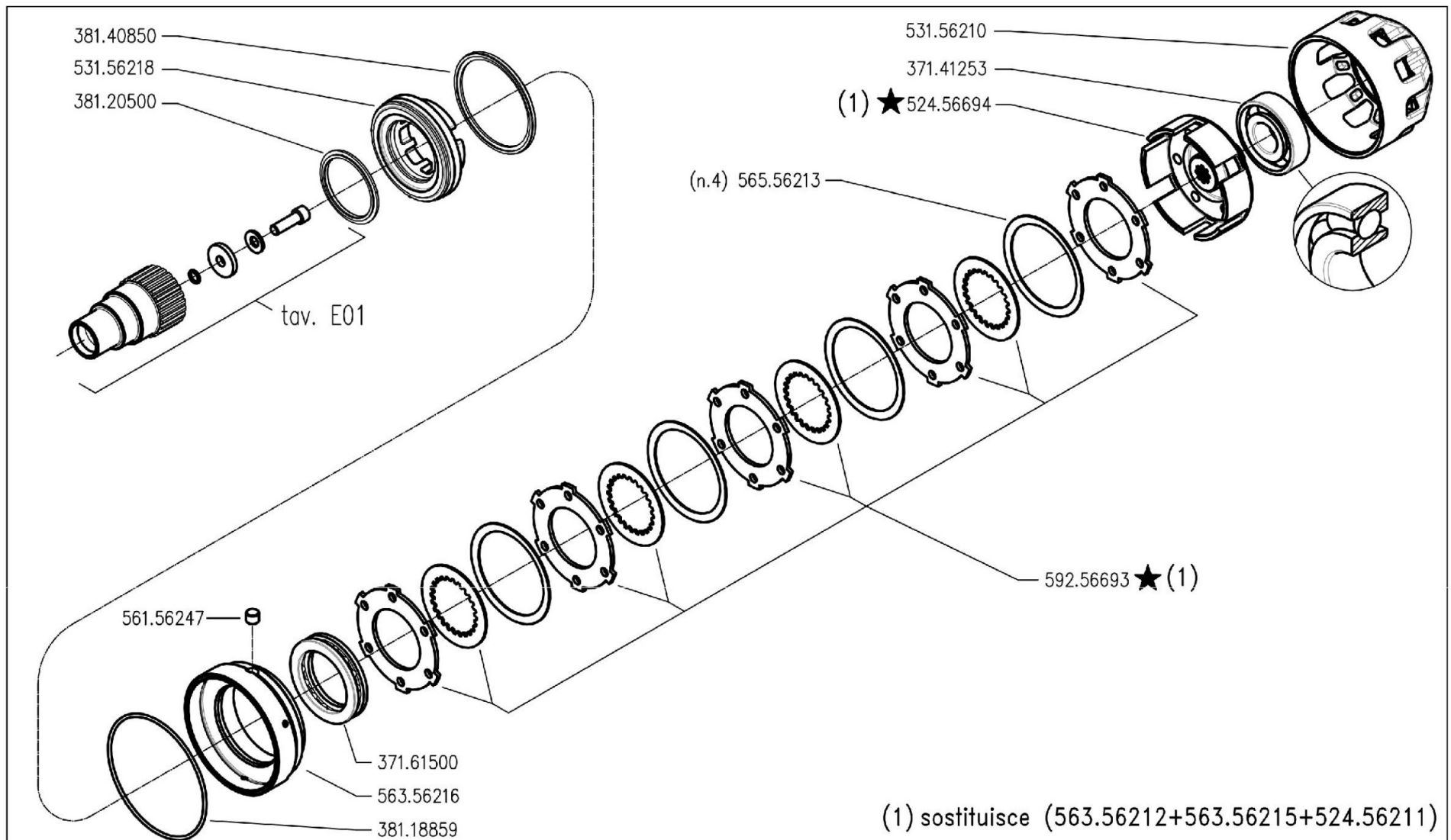
	<b>700 serie PS</b> <b>PowerSafe®</b>	<b>CILINDRO E FRIZIONE POWERSAFE</b>		DALLA MACCHINA DE LA MAQUINA FROM THE MACHINE AB DER MASCHINE	N.	C01	Rev.
		CYLINDER AND POWERSAFE CLUTCH CILINDRO Y EMBRAGUE POWERSAFE	CYLINDER ET EMBRAYAGE POWERSAFE ZILINDER UND POWERSAFE KUPPLUNG				0
						05/2009	

DITE BCS - Scala 1:6



Pos.	Id	Q.ty	Description	Note
37141253	37141253	1	BEARING 7305-BJP OBL 25x62x17	
37161500	37161500	1	BEARING 51110 (50X70X14)	
38118859	38118859	1	O-RING OR 3375 (94,92X2,62)	
38120500	38120500	1	RING I/GR-L 0500-A POLYPAC	
38140850	38140850	1	RING E/GR-L 0850-A POLYPAC	
52456211	52456211	1	CLUTCH HOUSING	
53156210	53156210	1	SUMP	
53156218	53156218	1	PISTON	
56156247	56156247	1	PIN	
56356212	56356212	1	DISC	
56356215	56356215	1	DISC	
56356216	56356216	1	RING	
56556213	56556213	1	SPRING	





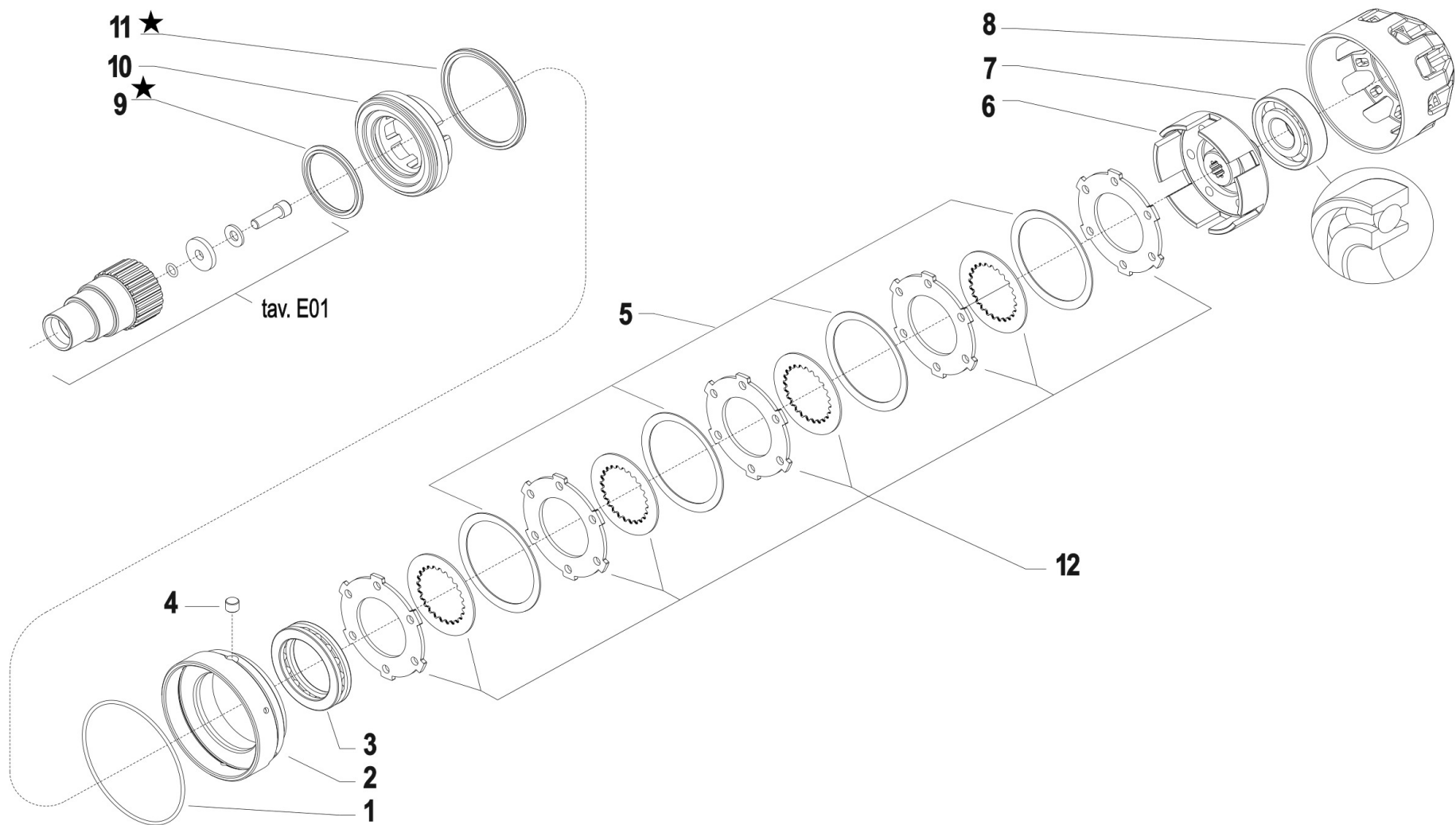
	<b>700 serie PS</b> <b>PowerSafe®</b>	<b>CILINDRO E FRIZIONE POWERSAFE</b>		DALLA MACCHINA DE LA MAQUINA FROM THE MACHINE AB DER MASCHINE	C01	Rev. 1
		CYLINDER AND POWERSAFE CLUTCH CILINDRO Y EMBRAGUE POWERSAFE	CYLINDER ET EMBRAYAGE POWERSAFE ZILINDER UND POWERSAFE KUPPLUNG			
				(1) sostituisce (563.56212+563.56215+524.56211)	852604	DATE: BCS - Scala 1:6





Pos.	Id	Q.ty	Description	Note
37141253	37141253	1	BEARING 7305-BJP OBL 25x62x17	
37161500	37161500	1	BEARING 51110 (50X70X14)	
38118859	38118859	1	O-RING OR 3375 (94,92X2,62)	
38120500	38120500	1	RING I/GR-L 0500-A POLYPAC	
38140850	38140850	1	RING E/GR-L 0850-A POLYPAC	
52456694	52456694	1	CLUTCH HOUSING	
53156210	53156210	1	SUMP	
53156218	53156218	1	PISTON	
56156247	56156247	1	PIN	
56356216	56356216	1	RING	
56556213	56556213	1	SPRING	
59256693	59256693	1	9 DISC CLUTCH	



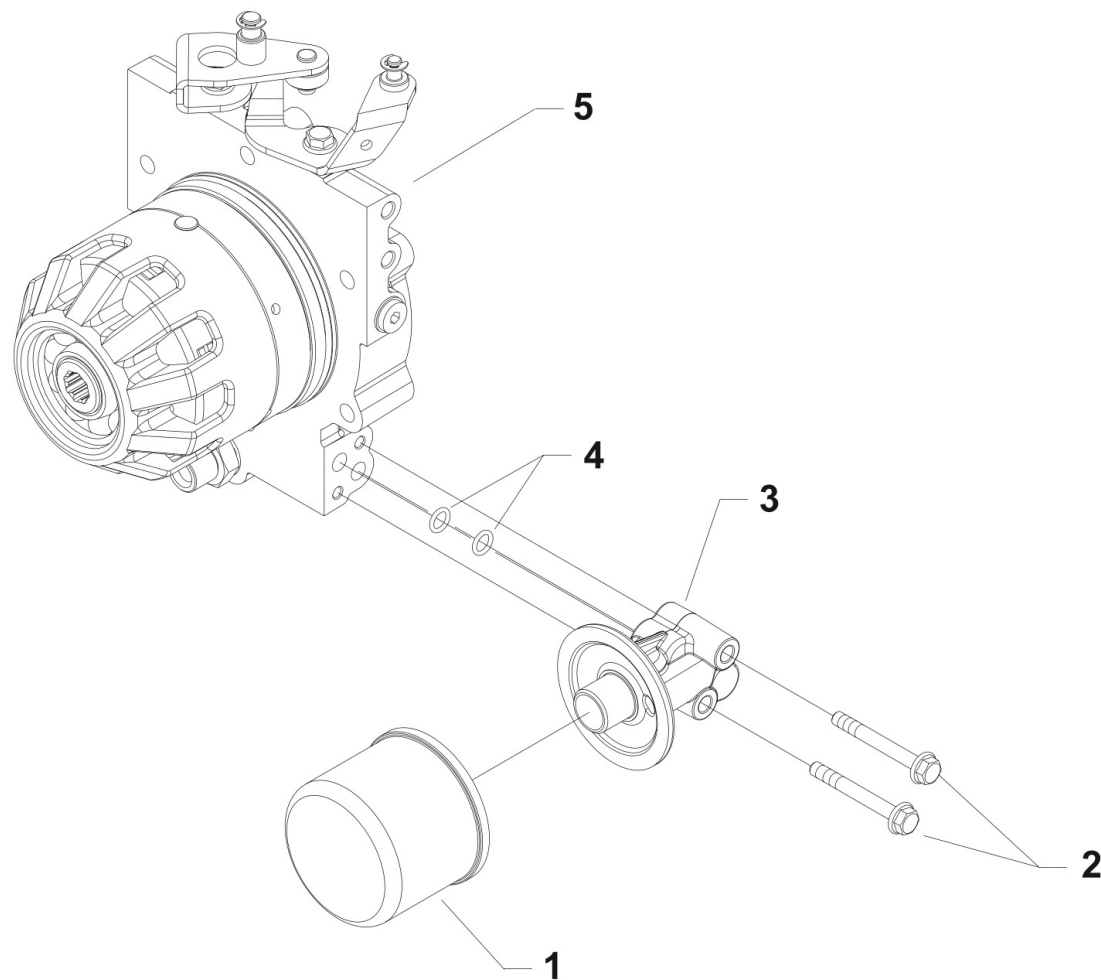


**i** = info - stop 2 sec. ★ = new part



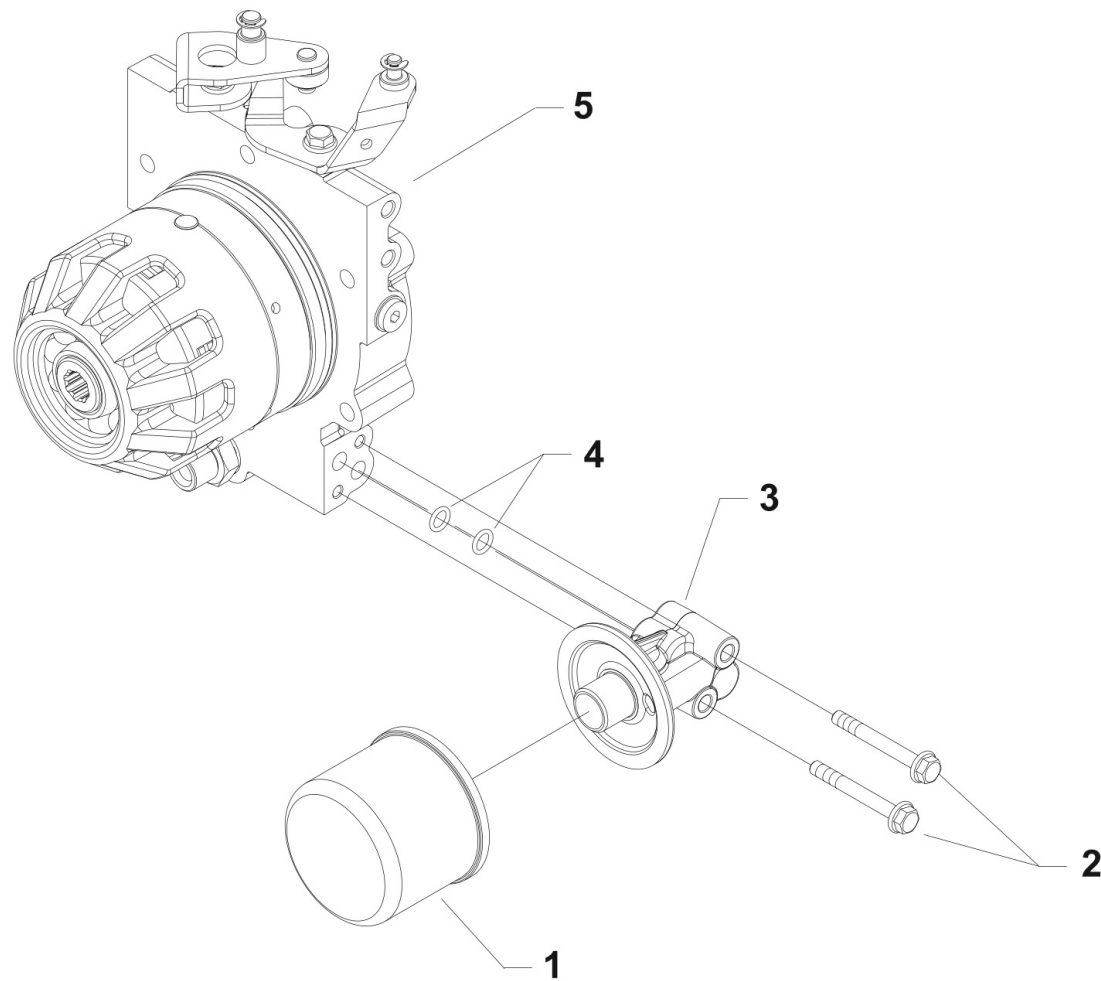
Pos.	Id	Q.ty	Description	Note
1	38118859		O-RING OR 3375 (94,92X2,62)	
2	56356216		RING	
3	37161500		BEARING 51110 (50X70X14)	
4	56156247		PIN	
5	56556213		SPRING	n. 4
6	52456694		CLUTCH HOUSING	Replaces 56356212 + 56356215 + 52456211
7	37141253		BEARING 7305-BJP OBL 25x62x17	
8	53156210		SUMP	
9	38120501		RING PTFE PRP 01A02-0500-A-32	REPLACE 38120500 + 38140850
10	53156218		PISTON	
11	38140851		RING PTFE PRP02A02-0850-A-32-N	REPLACE 38120500 + 38140850
12	59256693		9 DISC CLUTCH	Replaces 56356212 + 56356215 + 52456211





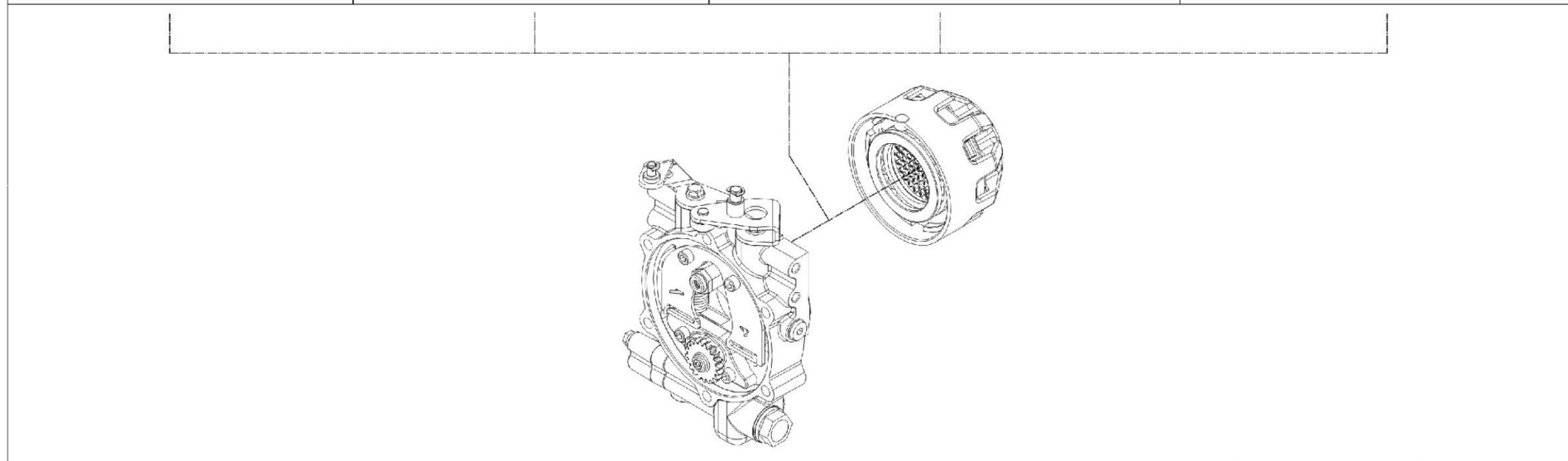
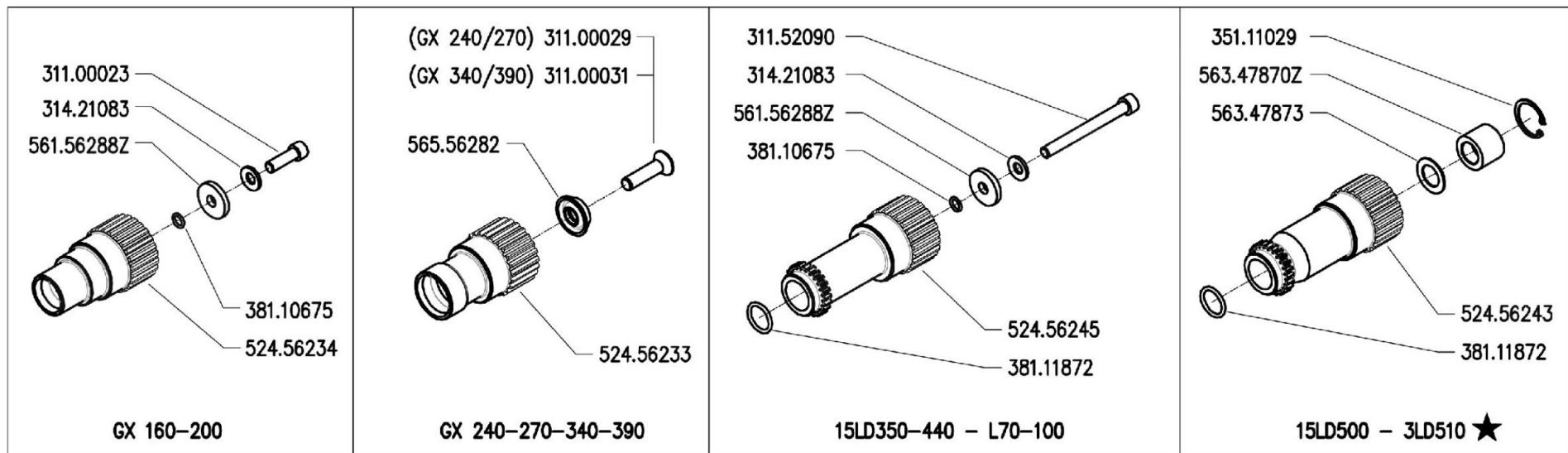
Pos.	Id	Q.ty	Description	Note
1	58056208	1	HYDRAULIC OIL FILTER	
2	31112099	1	SCREW TE C/F M6X50 DIN 6921 8G	
3	53156209	1	CONNECTION	
3	53156659	1	CONNECTION	Powersafe EasyDrive
4	38110873	1	O-RING 108 (8,73X1,78)	
5	59256035	1	POWERSAFE CLUTCH ASSY Q19	For motors GX160/200
5	59256036	1	POWERSAFE CLUTCH	For motors GX240/270-EX21
5	59256037	1	CLUTCH FOR POWERSAFE Q25.4 (3/8)	For motors GX340/390
5	59256038	1	POWERSAFE CLUTCH	For motors 15LD350/440-L70/100
5	59256039	1	POWERSAFE CLUTCH ASSY	For motors 15LD500/3LD510





Pos.	Id	Q.ty	Description	Note
1	58056208		HYDRAULIC OIL FILTER	
2	31112099		SCREW TE C/F M6X50 DIN 6921 8G	
3	53156209		CONNECTION	
3	53156659		CONNECTION	730 ED
4	38110873		O-RING 108 (8,73X1,78)	
5	59256035		POWERSAFE CLUTCH ASSY Q19	GX 160/GX200 - EX21 - GP160
5	59256036		POWERSAFE CLUTCH	GX 240/GX 270 - B&S 1450/B&S 2100
5	59256037		CLUTCH FOR POWERSAFE Q25.4 (3/8)	GX 340/GX390 - EX35
5	59256038		POWERSAFE CLUTCH	15LD350/440 - L70 / L100 - KD350 / KD440
5	59256039		POWERSAFE CLUTCH ASSY	15LD500/3LD510





	<p><b>700 serie PS</b> <b>PowerSafe®</b></p>	<p align="center"><b>MOZZI FRIZIONE POWERSAFE</b></p> <p>POWERSAFE CLUTCH HUBS CUBOS EMBRAGUE POWERSAFE</p> <p>MOYEURS EMBRAYAGE POWERSAFE NABEN POWERSAFE KUPPLUNG</p>	<p>DALLA MACCHINA DE LA MAQUINA DE LA MACHINA FROM THE MACHINE AB DER MASCHINE</p> <p align="right">★ N.</p>	<p>AGGIORNAMENTO APLAZAMIENTO MISE A JOUR REVISION ANPASSUNG</p>	<p align="center"><b>E01</b></p> <p align="right">Rev. <b>1</b></p> <p align="center"><b>11/2010</b></p>
--	--	---	--	--	--

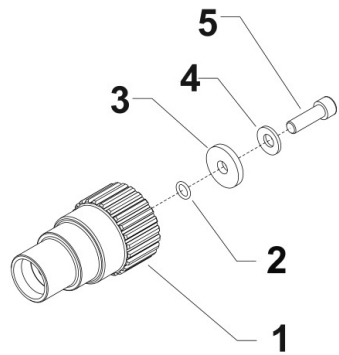
DITEBCS - Scala 1:6



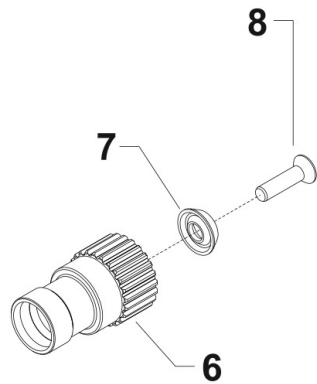


Pos.	Id	Q.ty	Description	Note
31100023	31100023	1	SCREW 5/16-24 X 1 UNF 8G	
31100029	31100029	1	SCREW TSVEI 7/16-20X1 1/2 UNF8G	
31100031	31100031	1	SCREW TSVEI 3/8-24X1 1/2 UNF 8G	
31152090	31152090	1	SCREW TCEI M8x80 UNI5931	
31421083	31421083	1	WASHER	
35111029	35111029	1	SEEGER RING I 28 UNI 7437	
38110675	38110675	1	O-RING 106 (6,75X1,78)	
38111872	38111872	1	O-RING 3075 (18,72x2,62)	
52456233	52456233	1	HUB Q25	
52456234	52456234	1	HUB Q19	
52456243	52456243	1	HUB	
52456245	52456245	1	HUB	
56347873	56347873	1	WASHER	
56556282	56556282	1	WASHER D.25,4	
56156288Z	56156288Z	1	SPECIAL WASHER SP.4	
56347870Z	56347870Z	1	SPECIAL NUT	

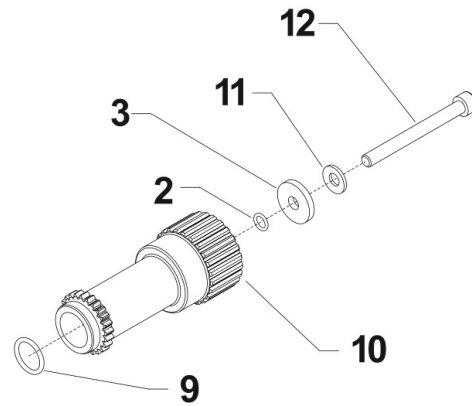




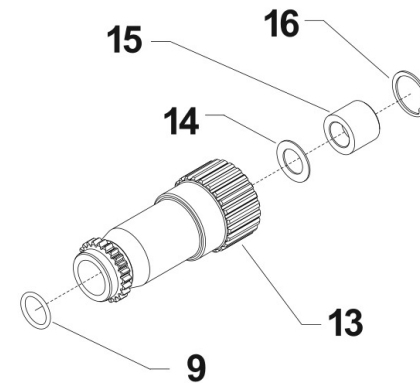
Gx160 - 200  
Ex21★-Gp160★



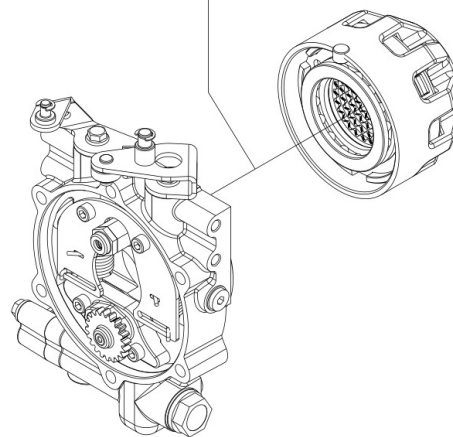
Gx240 - 270 - 340 - 390  
B&S 1450 - B&S 2100★



15LD350 - 440 - L70 - L100  
Kd350★-Kd440★



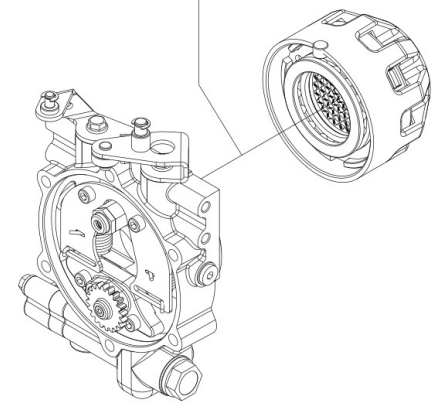
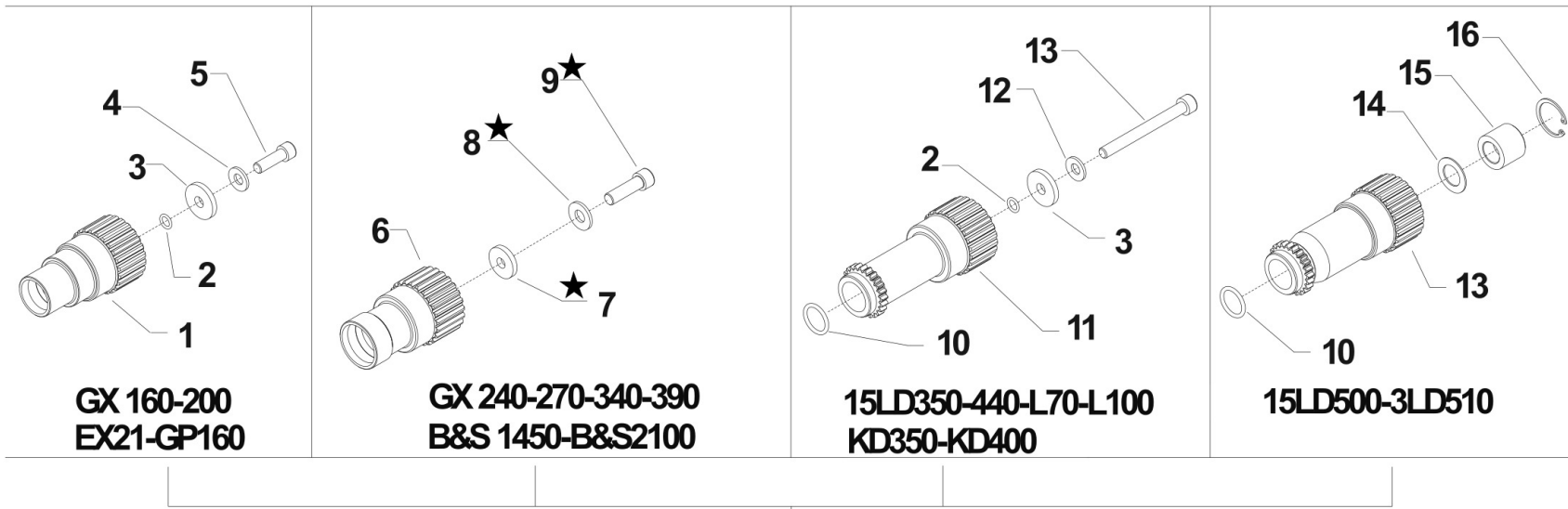
15LD500 - 3LD510



**i** = info - stop 2 sec. ★ = new part

Pos.	Id	Q.ty	Description	Note
1	52456234		HUB Q19	
2	38110675		O-RING 106 (6,75X1,78)	
3	56156288Z		SPECIAL WASHER SP.4	
4	31421083		WASHER	
5	31100023		SCREW 5/16-24 X 1 UNF 8G	
6	52456233		HUB Q25	
7	56556282		WASHER D.25,4	
8	31100029		SCREW TSVEI 7/16-20X1 1/2 UNF8G	GX 240 /270
8	31100031		SCREW TSVEI 3/8-24X1 1/2 UNF 8G	GX 340 /390
9	38111872		O-RING 3075 (18,72x2,62)	
10	52456245		HUB	
11	31421083		WASHER	
12	31152090		SCREW TCEI M8x80 UNI5931	
13	52456243		HUB	
14	56347873		WASHER	
15	56347870Z		SPECIAL NUT	
16	35111029		SEEGER RING I 28 UNI 7437	



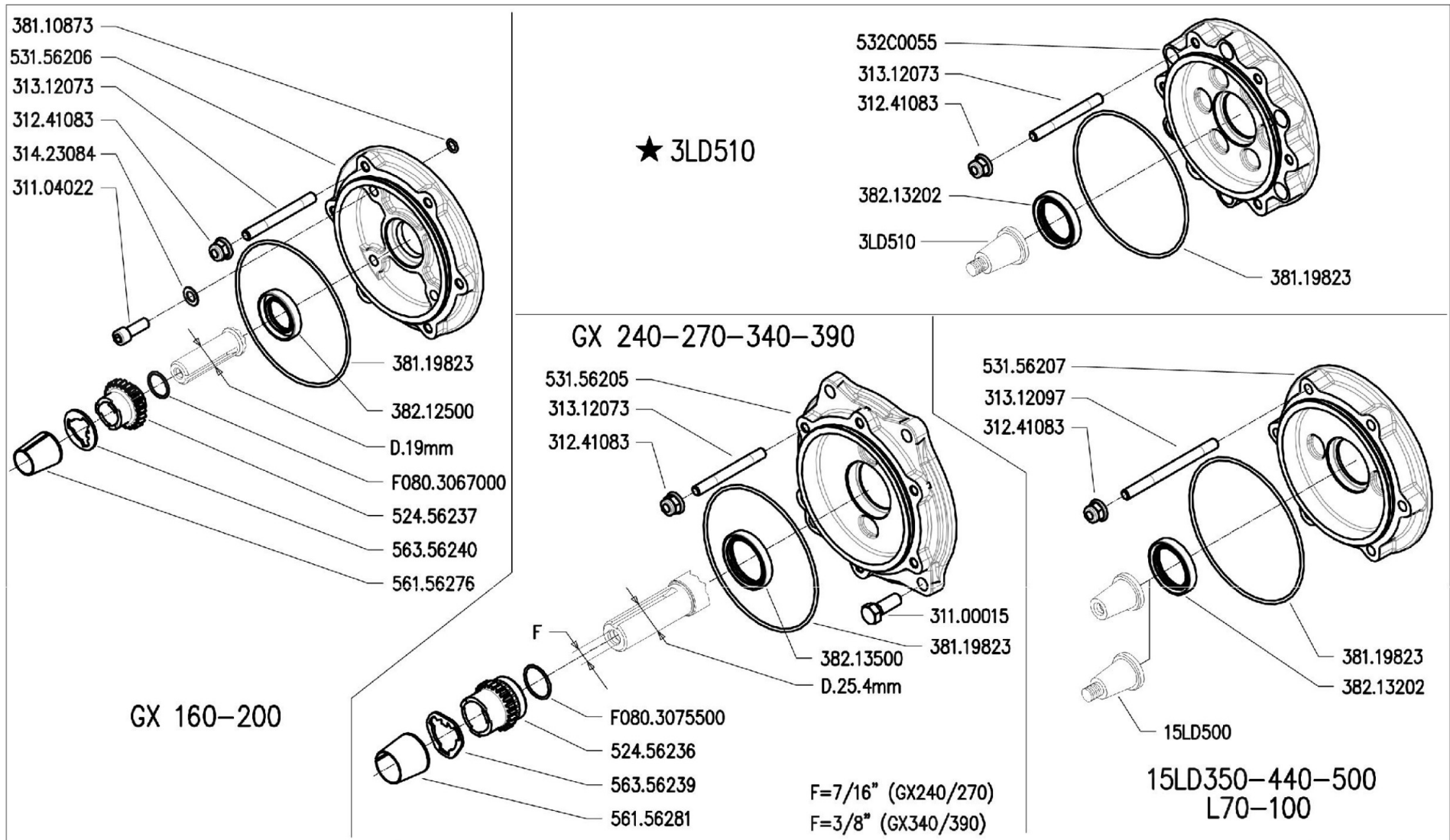


**i** = info - stop 2 sec.    ★ = new part



Pos.	Id	Q.ty	Description	Note
1	52456234		HUB Q19	
2	38110675		O-RING 106 (6,75X1,78)	
3	56156288Z		SPECIAL WASHER SP.4	
4	31421083		WASHER	
5	31100023		SCREW 5/16-24 X 1 UNF 8G	
6	52456233		HUB Q25	
7	56156743		WASHER 30X11.5X3	GX240-270/REPLACE 31100029+31100031+56556282
7	561C0421		WASHER	GX340-390/REPLACE 31100029+31100031+56556282
8	31421101		WASHER 10 DIN 679	REPLACE 31100029+31100031+56556282/GX340-390
8	31421130		WASHER	
9	31100032		SCREW TCCEI 7/16-20 X 1-1/2	GX240-270/REPLACE 31100029+31100031+56556282
9	31100033		SCREW TCCEI 3/8-24 X 1-1/2	GX340-390/REPLACE 31100029+31100031+56556282
10	38111872		O-RING 3075 (18,72x2,62)	
11	52456245		HUB	
12	31421083		WASHER	
13	31152090		SCREW TCEI M8x80 UNI5931	
14	56347873		WASHER	
15	56347870Z		SPECIAL NUT	
16	35111029		SEEGER RING I 28 UNI 7437	





700 serie PS  
PowerSafe®

ENGINE FLANGES  
BRIDAS MOTOR

FLANGIE MOTORE

BRIDES MOTEUR  
MOTOR FLANSCH

DALLA MACCHINA  
DE LA MAQUINA  
FROM THE MACHINE  
AB DER MASCHINE

★ N.

AGGIORNAMENTO  
APLAZAMIENTO  
MISE A JOUR  
REVISION  
ANPASSUNG

F01

11/2010

Rev.

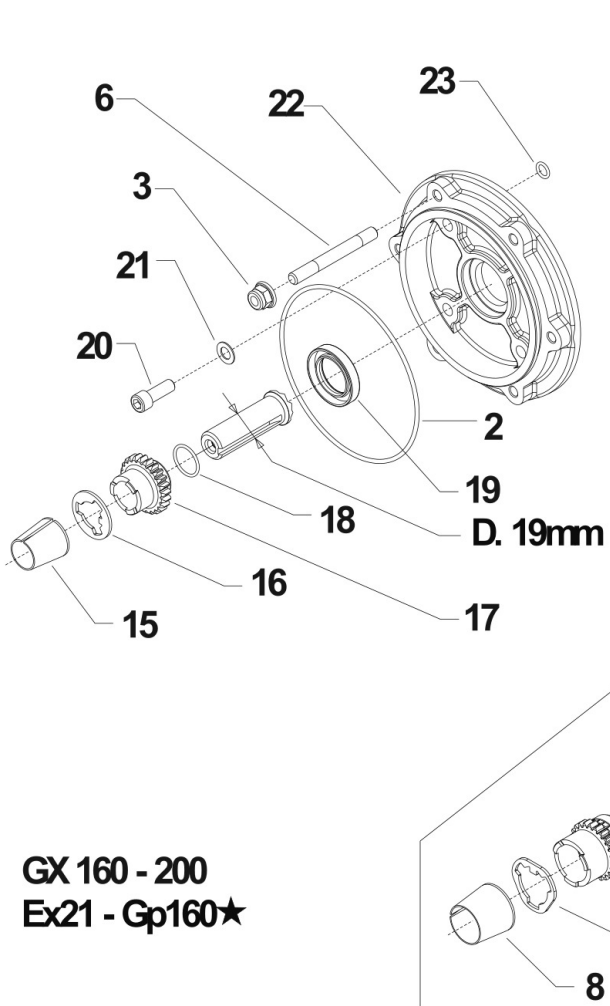
1

DITE BCS - Scala 1:6

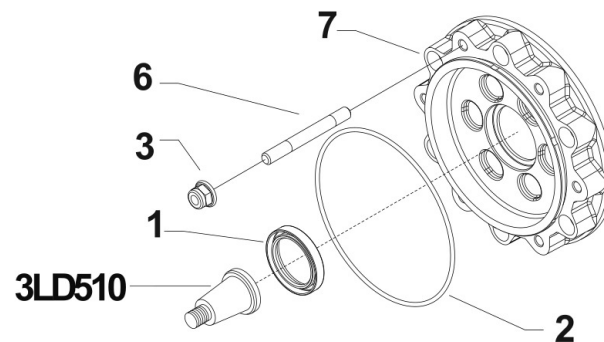


Pos.	Id	Q.ty	Description	Note
31100015	31100015	1	SCREW TE 3/8X1	
31104022	31104022	1	SCREW TCEI 5/16X7/8 UNF 12K	
31241083	31241083	1	SELFLOCK NUT M8	
31312073	31312073	1	STUD BOLT M8X73X14X20 8G	
31312097	31312097	1	STUD BOLT M8X98X16X28 8G	
31423084	31423084	1	SPRING WASHER 8,4	
38110873	38110873	1	O-RING 108 (8,73X1,78)	
38119823	38119823	1	O-RING 3450 (113,97x2,62)	
38212500	38212500	1	OIL SEAL 25X40X7	
38213202	38213202	1	OIL SEAL 32X45X7	
38213500	38213500	1	OIL SEAL 35X47X7	
52456236	52456236	1	PUMP GEAR	
52456237	52456237	1	PUMP GEAR	
53156205	53156205	1	ENGINE FLANGE Q25	
53156206	53156206	1	ENGINE FLANGE Q19	
53156207	53156207	1	ENGINE FLANGE	
532C0055	532C0055	1	ACT ENGINE FLANGE	
56156276	56156276	1	SLEEVE D.19	
56156281	56156281	1	CENTRING BUSH D.25,4	
56356239	56356239	1	FEEDER Q25	
56356240	56356240	1	TRANSMISSION	
F0803067000	F0803067000	1	O-RING 2075 (18,77X1,78)	
F0803075500	F0803075500	1	O-RING 2100 (25,12X1,78)	

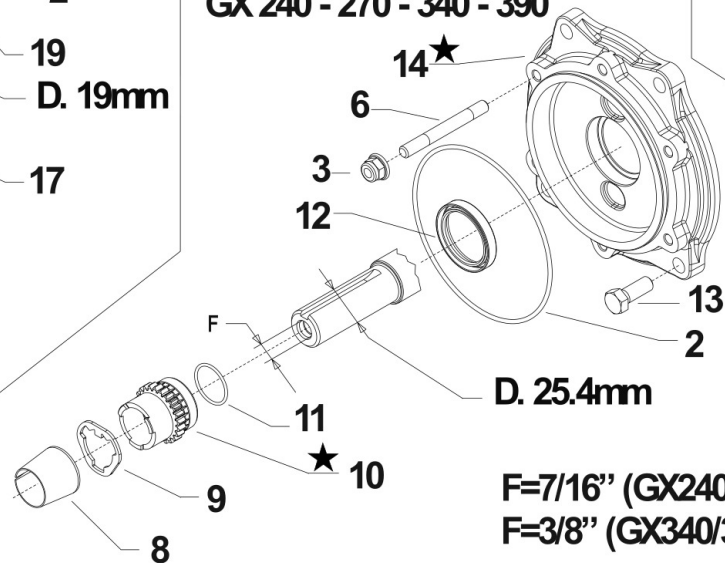




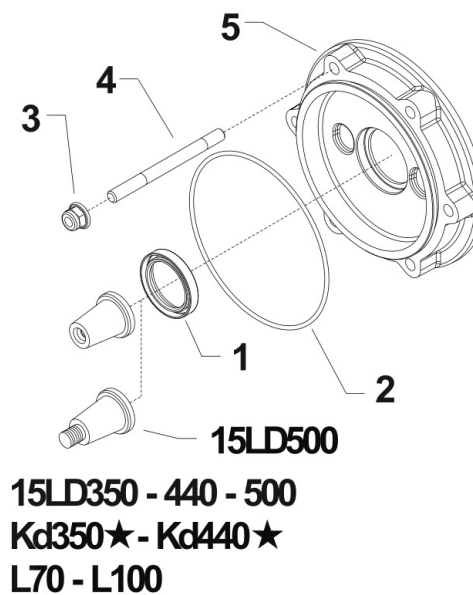
3LD510



B&S 2100★ B&S 1450★  
GX 240 - 270 - 340 - 390



F=7/16" (GX240/270)  
F=3/8" (GX340/390)

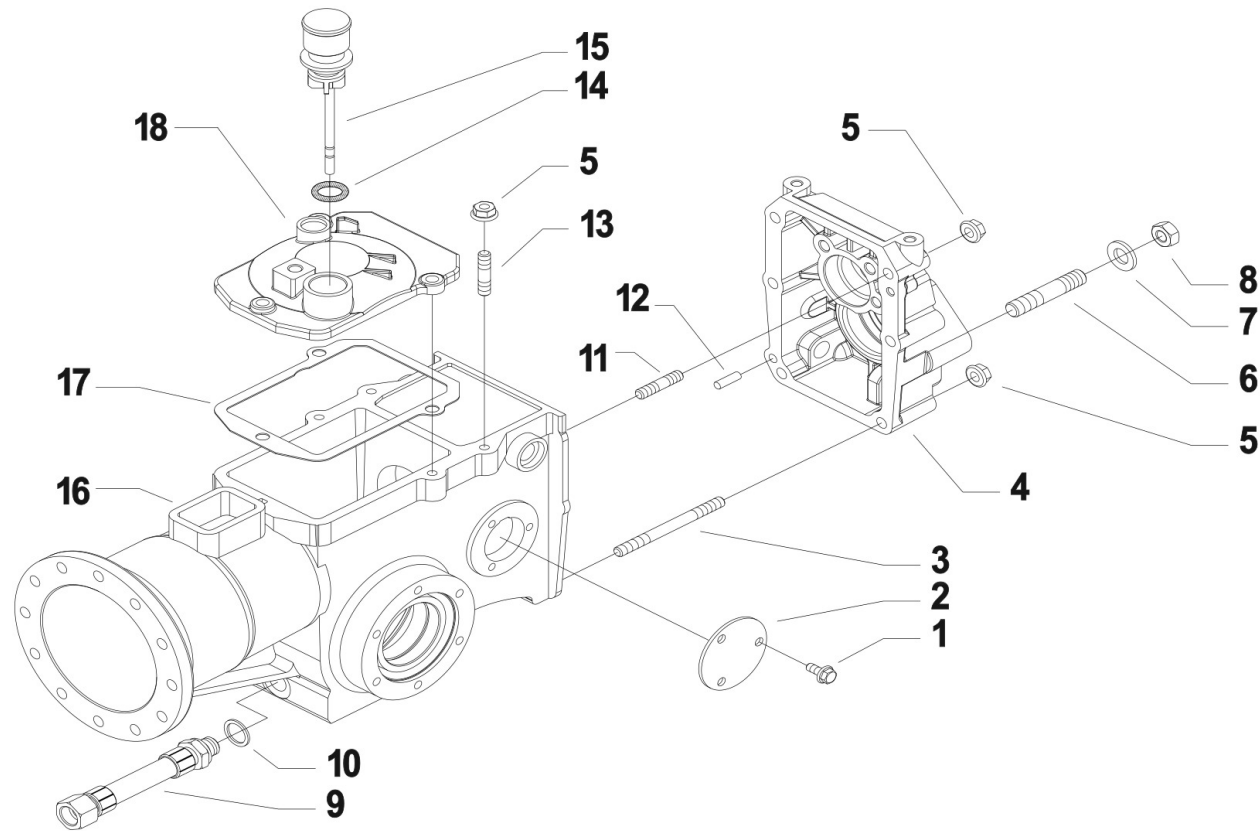


**i** = info - stop 2 sec. ★ = new part



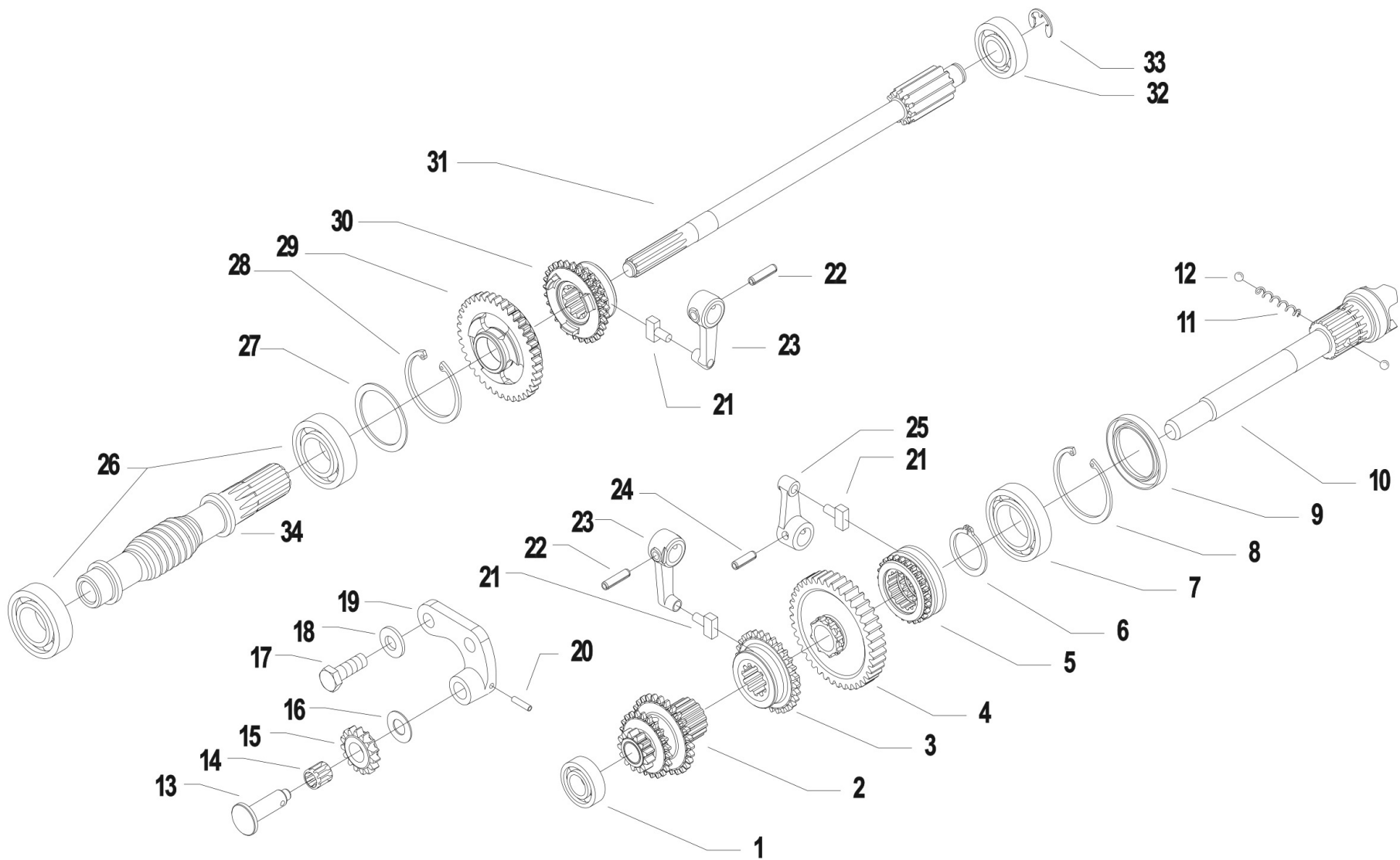
Pos.	Id	Q.ty	Description	Note
1	38213202		OIL SEAL 32X45X7	
2	38119823		O-RING 3450 (113,97x2,62)	
3	31241083		SELFLOCK NUT M8	
4	31312097		STUD BOLT M8X98X16X28 8G	
5	53156207		ENGINE FLANGE	
6	31312073		STUD BOLT M8X73X14X20 8G	
7	532C0055		ACT ENGINE FLANGE	
8	56156281		CENTRING BUSH D.25,4	
9	56356239		FEEDER Q25	
10	52456236		PUMP GEAR	
10	52456352		PUMP GEAR	EX 35 - B&S 2100
11	F0803075500		O-RING 2100 (25,12X1,78)	
12	38213500		OIL SEAL 35X47X7	
13	31100015		SCREW TE 3/8X1	
14	53156205		ENGINE FLANGE Q25	
14	53256692		ENGINE FLANGE B&S 2100	B&S 2100
15	56156276		SLEEVE D.19	
16	56356240		TRANSMISSION	
17	52456237		PUMP GEAR	
18	F0803067000		O-RING 2075 (18,77X1,78)	
19	38212500		OIL SEAL 25X40X7	
20	31104022		SCREW TCEI 5/16X7/8 UNF 12K	
21	31423084		SPRING WASHER 8,4	
22	53156206		ENGINE FLANGE Q19	
23	38110873		O-RING 108 (8,73X1,78)	





Pos.	Id	Q.ty	Description	Note
1	31112083	1	SCREW M6X12	
2	56147520Z	1	COVER	
3	31312094	1	STUD BOLT M8X68X14X36	
4	53156332B	1	REAR COVER	
5	31241084	1	SELFLOCK NUT M8 6S	
6	31312125	1	STUD BOLT 64XM12X1,25X26XM12X30 8G	
7	31421132	1	WASHER 13X24X2,8	
8	31221121	1	NUT M12X1,25	
9	59056248	1	SUCTION SHORT HOSE	
10	31480184	1	COPPER WASHER 16,7x22/1,5	
11	31312086	1	STUD BOLT M8X56X20X14	
12	58043053	1	CYLINDRICAL PLUG	
13	31312082	1	STUD BOLT M8X38X14X20	
14	55102678	1	RUBBER RING	
15	59056672	1	OIL LEVEL CAP W/SHAFT	
16	53156203B	1	BOX CASING	
17	58043117	1	COVER GASKET	
18	53143128B	1	COVER	For models 710/720/728 PS Series
18	53143875B	1	GEARBOX HOUSING COVER	For models 730/738 PS Series



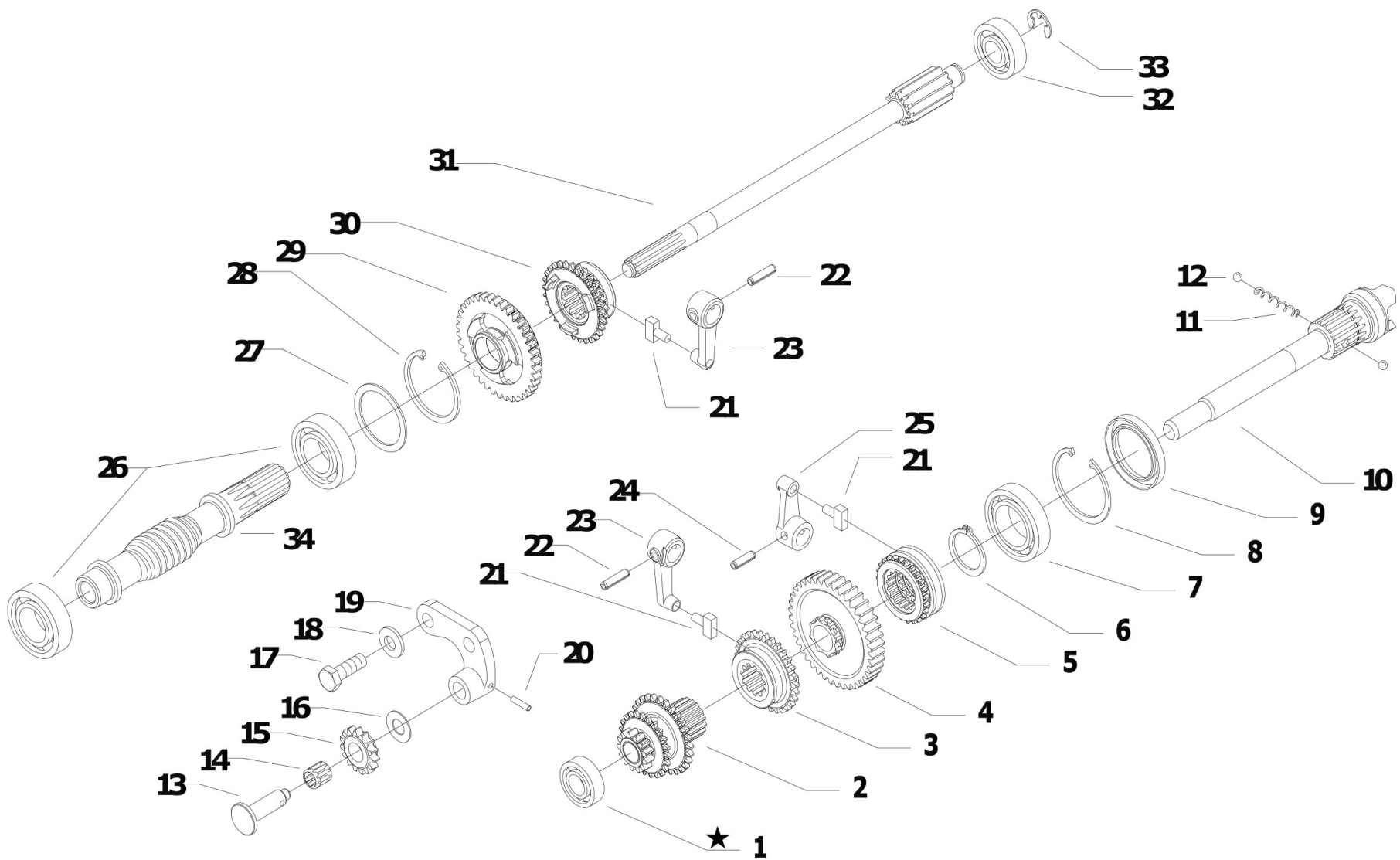


Pos.	Id	Q.ty	Description	Note
1	37111150	1	BEARING 6202 (15X35X11)	
2	59056730	1	TRIPLE GEAR	
3	52456370	1	SLIDER	
4	59056707	1	GEAR	
5	52456706	1	PTO COUPLING	
6	35121031	1	SEEGER RING E 30 UNI 7436	
7	37112229	1	BEARING 6006 (30X55X13) SKF	
8	35111055	1	SEEGER RING I 55 DIN 472	
9	38213800	1	OIL SEAL 38X55X7	
10	52456335	1	PTO SHAFT L=161	
11	58056391	1	SPRING	
12	37910832	1	BALL 1/4	
13	56456736	1	GEAR PIN	
14	37320120	1	ROLLER CAGE 12X15/10	
15	56456347	1	GEAR	
16	56356348	1	ADJUSTING RING	
17	31112211	1	SCREW TE M10X30 UNI 5739	
18	31421101	1	WASHER 10 DIN 679	
19	52456349	1	GEAR SUPPORT	
20	34211042	1	ROLL PIN	
21	58043086	1	SHOE	
22	34213060	1	ROLL PIN	
23	52456389	1	LEVER	
24	34213061	1	ROLL PIN	
25	52456390	1	LEVER	
26	37111255	1	BEARING 6205 (25X52X15)	
27	56356328	1	ADJUSTING RING SP=1,5	
27	56356329	1	ADJUSTING RING SP=1,6	
27	56356330	1	ADJUSTING RING SP=1,7	



Pos.	Id	Q.ty	Description	Note
27	56356331	1	ADJUSTING RING SP=1,8	
28	35111052	1	SEEGER RING I 52 DIN 472	
29	52456732	1	GEAR 1a 3C	
30	52456733	1	SLIDING 3C	
31	52456339	1	SHAFT	
32	37111152	1	BEARING 6302 (15X42X13) SKF	
33	35211120	1	SEEGER RING E 12 UNI 7434	
34	56456475		SCREW 2	





 [Click for info](#)

★ = new part



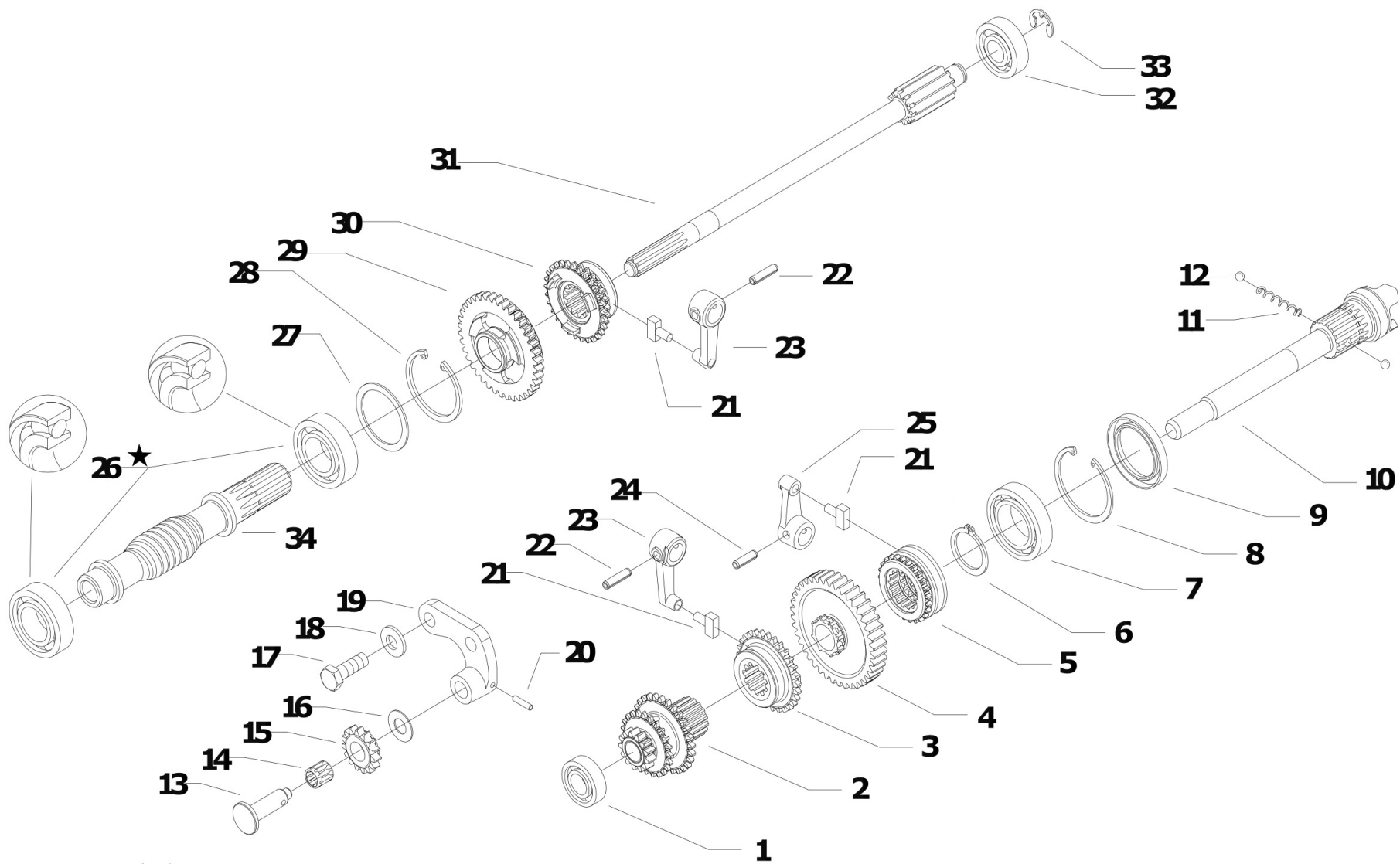
Pos.	Id	Q.ty	Description	Note
1	37111151	1	BEARING 6202 (15X35X11)	REPLACES 37111150
2	59056730	1	TRIPLE GEAR	
3	52456370	1	SLIDER	
4	59056707	1	GEAR	
5	52456706	1	PTO COUPLING	
6	35121031	1	SEEGER RING E 30 UNI 7436	
7	37112229	1	BEARING 6006 (30X55X13) SKF	
8	35111055	1	SEEGER RING I 55 DIN 472	
9	38213800	1	OIL SEAL 38X55X7	
10	52456335	1	PTO SHAFT L=161	
11	58056391	1	SPRING	
12	37910832	1	BALL 1/4	
13	56456736	1	GEAR PIN	
14	37320120	1	ROLLER CAGE 12X15/10	
15	56456347	1	GEAR	
16	56356348	1	ADJUSTING RING	
17	31112211	1	SCREW TE M10X30 UNI 5739	
18	31421101	1	WASHER 10 DIN 679	
19	52456349	1	GEAR SUPPORT	
20	34211042	1	ROLL PIN	
21	58043086	1	SHOE	
22	34213060	1	ROLL PIN	
23	52456389	1	LEVER	
24	34213061	1	ROLL PIN	
25	52456390	1	LEVER	
26	37111255	1	BEARING 6205 (25X52X15)	
27	56356328	1	ADJUSTING RING SP=1,5	
27	56356329	1	ADJUSTING RING SP=1,6	
27	56356330	1	ADJUSTING RING SP=1,7	





Pos.	Id	Q.ty	Description	Note
27	56356331	1	ADJUSTING RING SP=1,8	
28	35111052	1	SEEGER RING I 52 DIN 472	
29	52456732	1	GEAR 1a 3C	
30	52456733	1	SLIDING 3C	
31	52456339	1	SHAFT	
32	37111152	1	BEARING 6302 (15X42X13) SKF	
33	35211120	1	SEEGER RING E 12 UNI 7434	
34	56456475		SCREW 2	





 [Click for info](#)

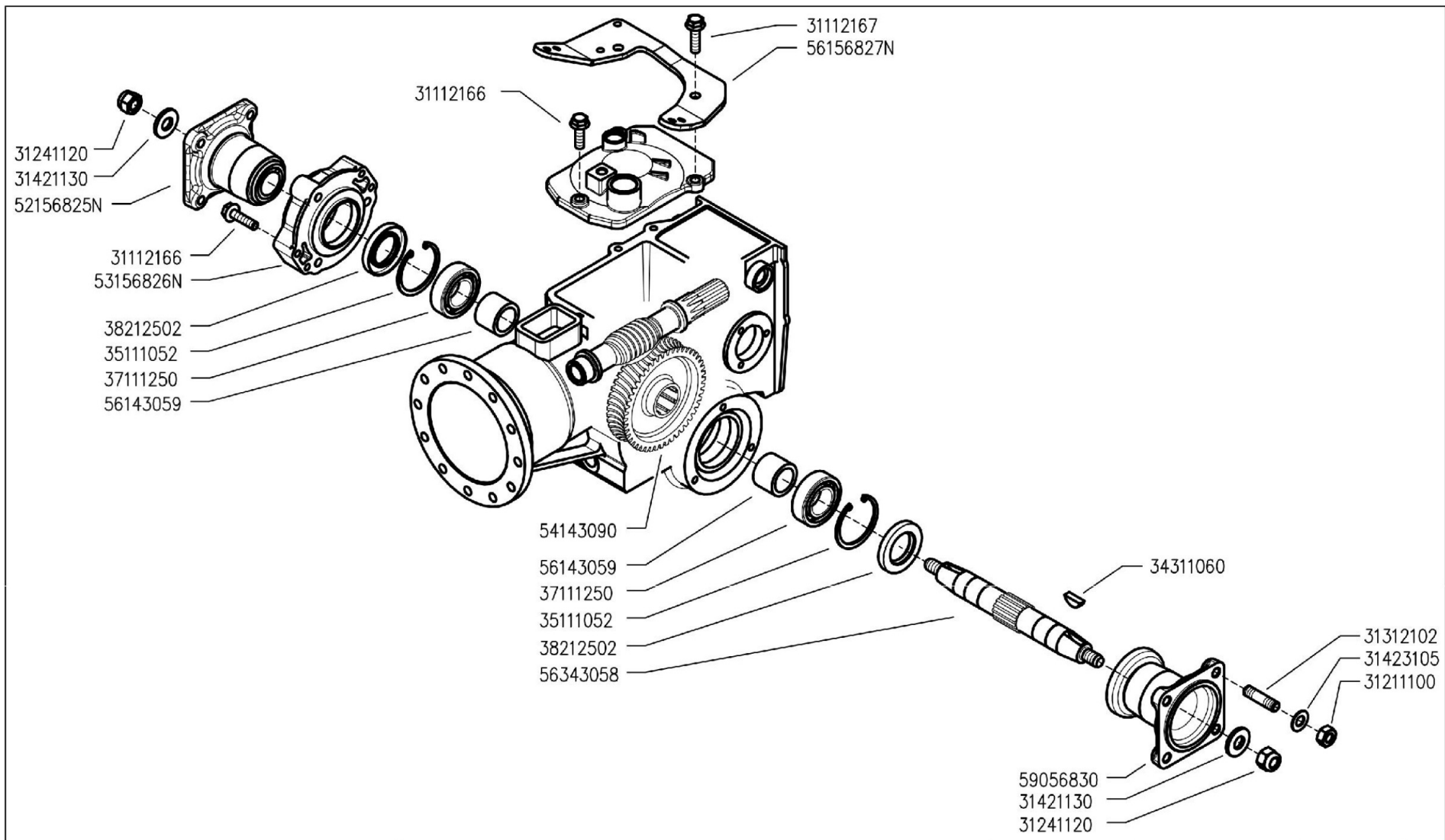
★ = new part

Pos.	Id	Q.ty	Description	Note
1	37111151	1	BEARING 6202 (15X35X11)	REPLACES 37111150
2	59056730	1	TRIPLE GEAR	
3	52456370	1	SLIDER	
4	59056707	1	GEAR	
5	52456706	1	PTO COUPLING	
6	35121031	1	SEEGER RING E 30 UNI 7436	
7	37112229	1	BEARING 6006 (30X55X13) SKF	
8	35111055	1	SEEGER RING I 55 DIN 472	
9	38213800	1	OIL SEAL 38X55X7	
10	52456335	1	PTO SHAFT L=161	
11	58056391	1	SPRING	
12	37910832	1	BALL 1/4	
13	56456736	1	GEAR PIN	
14	37320120	1	ROLLER CAGE 12X15/10	
15	56456347	1	GEAR	
16	56356348	1	ADJUSTING RING	
17	31112211	1	SCREW TE M10X30 UNI 5739	
18	31421101	1	WASHER 10 DIN 679	
19	52456349	1	GEAR SUPPORT	
20	34211042	1	ROLL PIN	
21	58043086	1	SHOE	
22	34213060	1	ROLL PIN	
23	52456389	1	LEVER	
24	34213061	1	ROLL PIN	
25	52456390	1	LEVER	
26	37141250	1	BEARING 7205-B OBL SKF	REPLACES 37111255
27	56356328	1	ADJUSTING RING SP=1,5	
27	56356329	1	ADJUSTING RING SP=1,6	
27	56356330	1	ADJUSTING RING SP=1,7	



Pos.	Id	Q.ty	Description	Note
27	56356331	1	ADJUSTING RING SP=1,8	
28	35111052	1	SEEGER RING I 52 DIN 472	
29	52456732	1	GEAR 1a 3C	
30	52456733	1	SLIDING 3C	
31	52456339	1	SHAFT	
32	37111152	1	BEARING 6302 (15X42X13) SKF	
33	35211120	1	SEEGER RING E 12 UNI 7434	
34	56456475		SCREW 2	





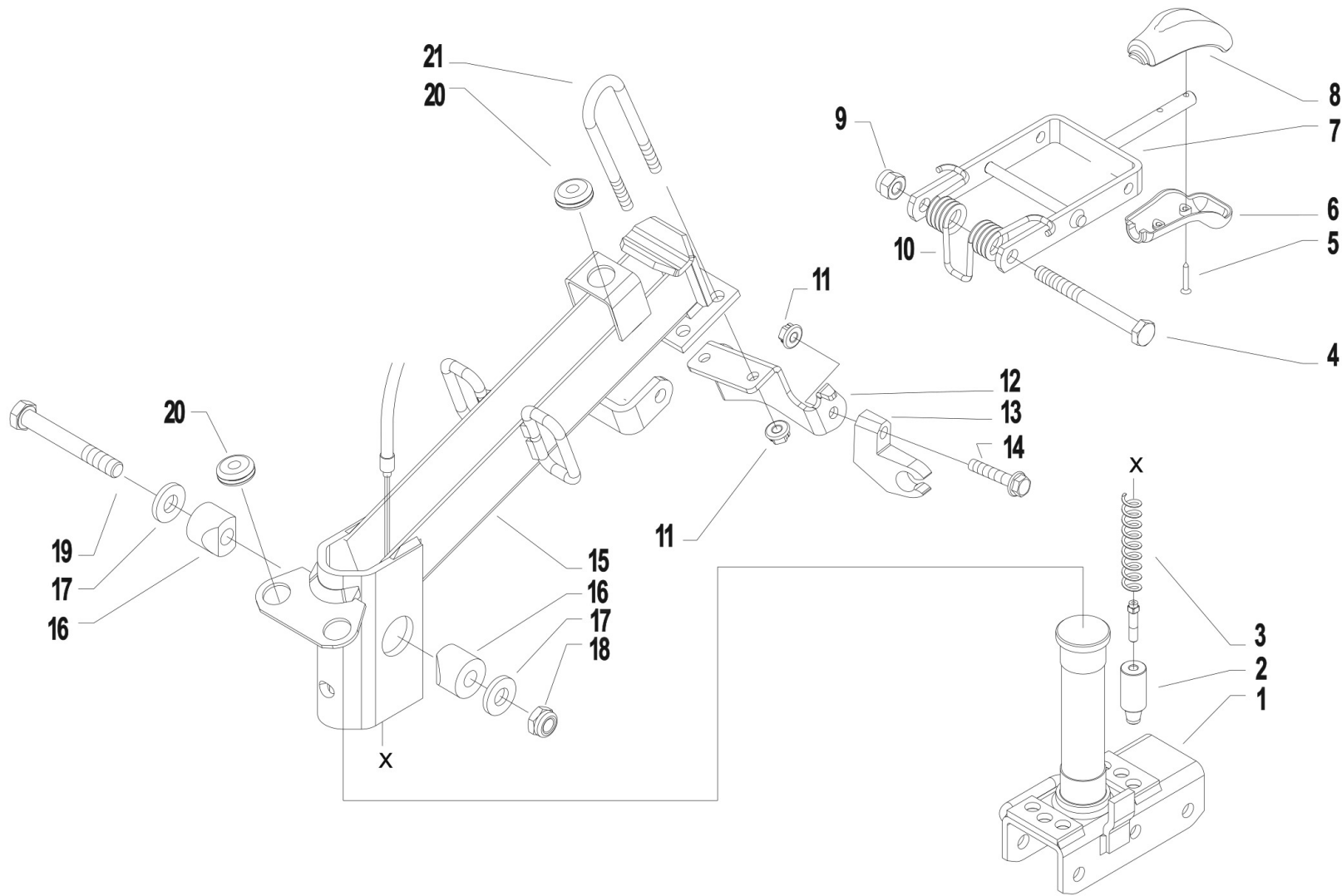
	<b>700 serie PS</b> <b>PowerSafe®</b>	WHEELS AXLE EJE RUEDAS	<b>ASSE RUOTE</b> (710-720)	ESSIEUS ROUES RÄDACHSE	DALLA MACCHINA DE LA MAQUINA FROM THE MACHINE AB DER MASCHINE	N.	I01	Rev.
								0
							05/2009	

DITE BCS - Scala 1:5



Pos.	Id	Q.ty	Description	Note
31112166	31112166	1	SCREW TE C/F M8X25 DIN 6921 8G	
31112167	31112167	1	SCREW TE C/F M8X30 DIN 6921 8G	
31211100	31211100	1	NUT M10	
31241120	31241120	1	SELFLOCK NUT M12	
31312102	31312102	1	STUD BOLT M10X40X24X12	
31421130	31421130	1	WASHER	
31423105	31423105	1	SPRING WASHER 10,5	
34311060	34311060	1	KEY 6X10 UNI 6606	
35111052	35111052	1	SEEGER RING I 52 DIN 472	
37111250	37111250	1	BEARING	
38212502	38212502	1	OIL SEAL 25X52X7	
54143090	54143090	1	CROWN WHEELZ=49 DESTROSA	
56143059	56143059	1	SPACER	
56343058	56343058	1	AXLE SHAFT	
59056830	59056830	1	WHEEL HUB	
52156825N	52156825N	1	WHEEL HUB	
53156826N	53156826N	1	FLANGE	
56156827N	56156827N	1	STOP	

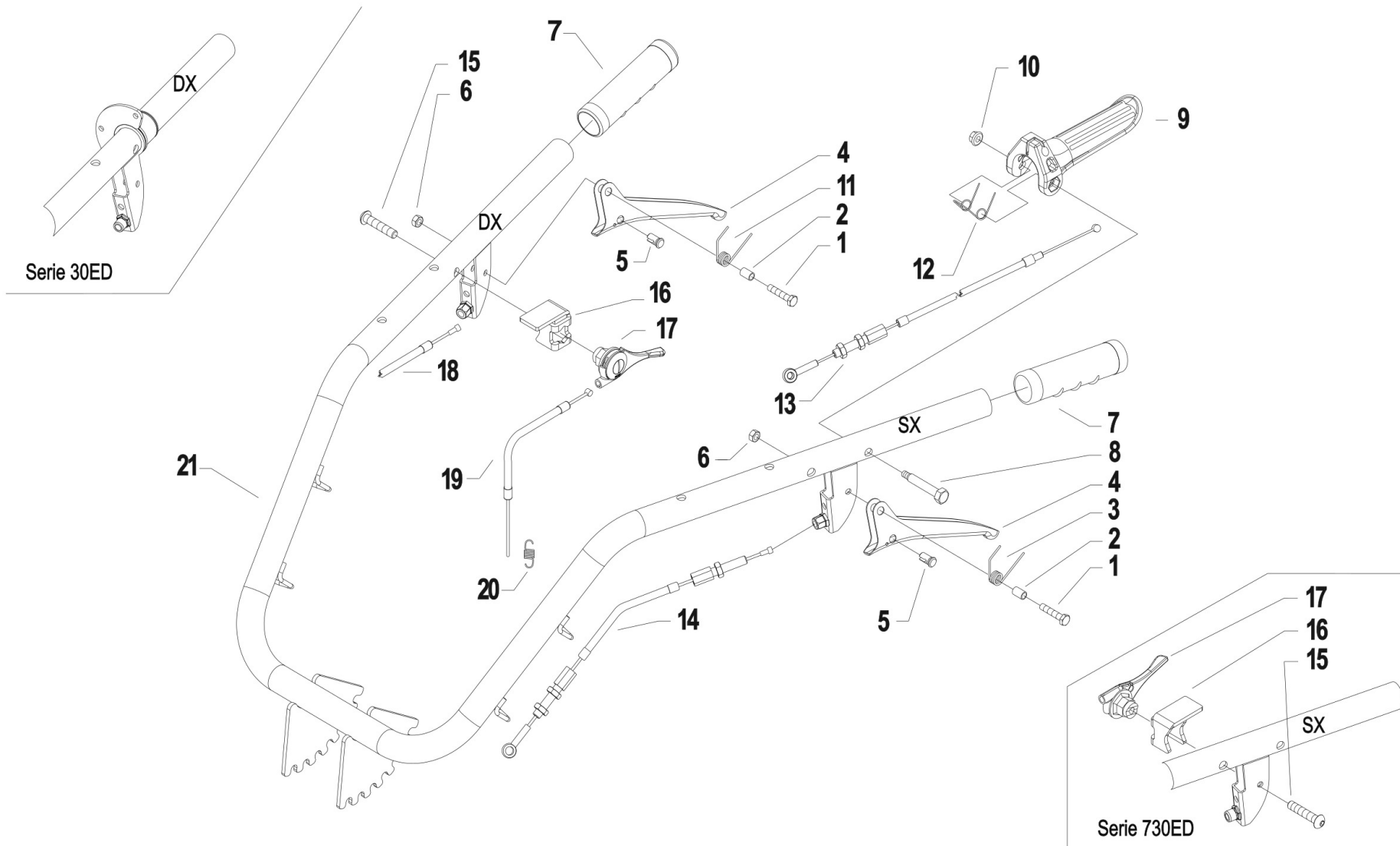




Pos.	Id	Q.ty	Description	Note
1	59056793N	1	SUPPORT	
2	56356924	1	FERRULE	
3	58056918	1	SPRING	
4	31111229	1	SCREW TE M10X110 UNI 5737 8G	
5	31100451	1	SCREW 3,5X25	
6	55157213	1	GRIP	
7	59057010N	1	LEVER	
8	55157212	1	GRIP	
9	31241100	1	SELFLOCK HEXAGON NUT M10	
10	58056942N	1	SPRING	
11	31241084	1	SELFLOCK NUT M8 6S	
12	56156974N	1	SUPPORT	
13	55243340	1	SUPPORT	
14	31112165	1	SCREW TE C/F M8X35 DIN 6921 8G	
15	59056820N	1	COLUMN	
16	52156917	1	WEDGE	
17	31421100Z	1	CUP SPRING 25X12,2X1,5 D2093	
18	31241126	1	SELFLOCK NUT M12	
19	31112293	1	SCREW TE M12X80 UNI 5737	
20	58056991	1	CABLE GLAND 90/200/30	
21	56156940	1	U BOLT	

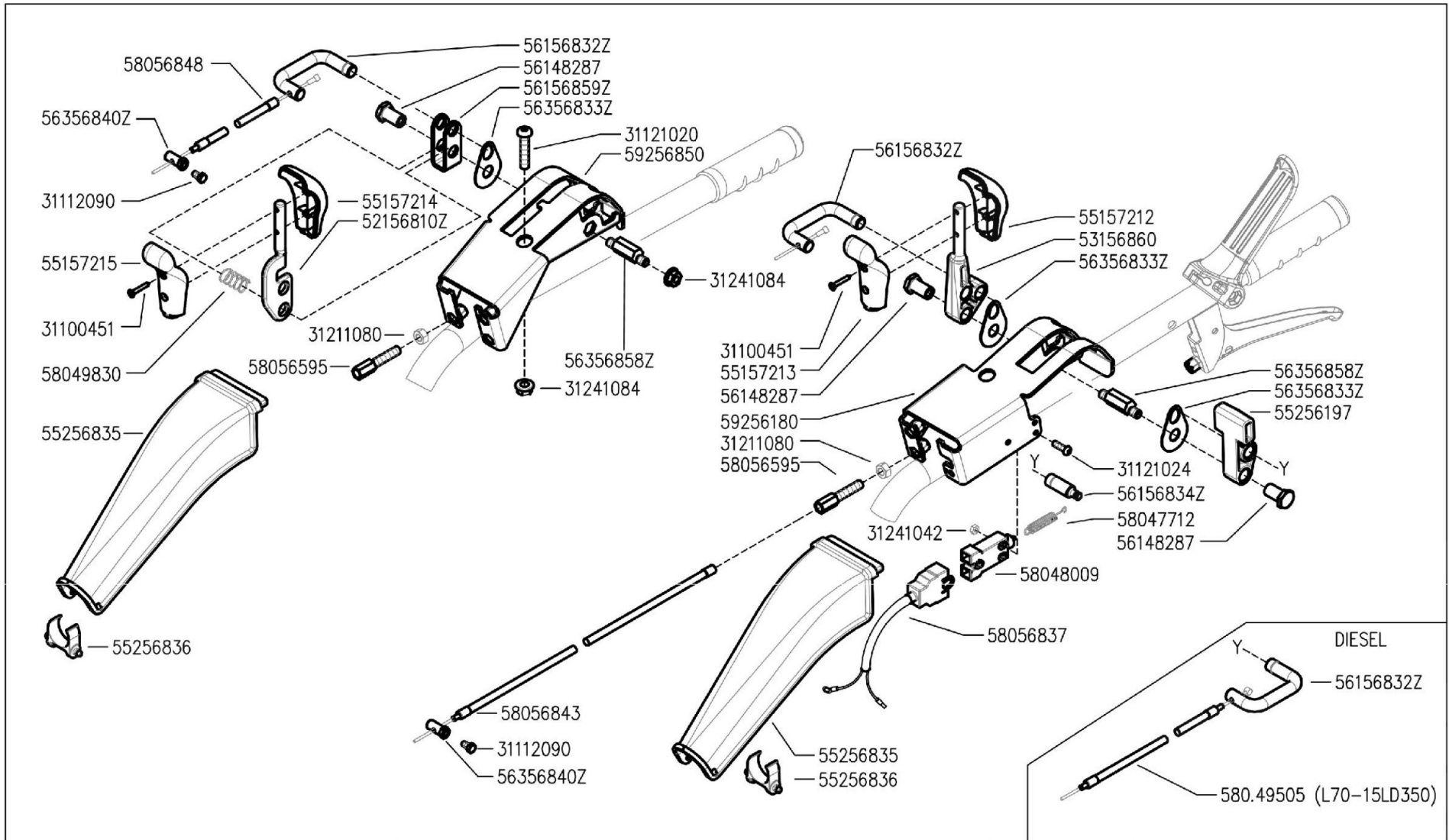






Pos.	Id	Q.ty	Description	Note
1	31112089	1	SCREW TE M6X25 UNI 5739 8G	
2	56156603Z	1	SPACER	
3	58050345	1	SPRING	
4	56148470N	1	LEVER	
5	58150313	1	CABLE CLAMP	
6	31241060	1	HEXAGON SELFLOCK NUT M6	
7	58048000	1	KNOB D=27	
8	56356184Z	1	LEVER PIN	
9	55256185	1	LEVER	
10	31241065	1	SELFLOCK NUT M6	
11	58056593	1	SPRING	
12	58056186Z	1	SPRING	
13	58056191	1	LINE L=1560	
14	58056190	1	LINE L=1460	
15	31121020	1	SCREW TBCEI M8X40 ISO7380 10K Z	
16	56156874N	1	PANEL	
17	58002538	1	ACCELERATOR	
18	58056193	1	TRANSMISSION	
19	58056812	1	LINE AND SHEATH L=1680	Used with motors L70/L100/15LD350
19	58056815	1	LINE AND SHEATH L=1950	GX200-GX270-GX340-EX21
20	58056154	1	RESTORING SPRING	GX200
20	58056155	1	RESTORING SPRING	For the engine GX270
21	59256175	1	HANDLE BAR	
21	59256198	1	HANDLE BAR	For the 730 series EasyDrive Powersafe





	<b>700 serie PS</b> <b>PowerSafe®</b>	<b>COMANDI SUL MANUBRIO</b> (720)		DALLA MACCHINA DE LA MAQUINA FROM THE MACHINE AB DER MASCHINE	_____ _____ _____ _____	Rev. <b>L02</b> 0
		HANDLEBAR CONTROLS CONTROLES EN EL MANILLAR	CONTROLES SUR LE MANCHERON KONTROLLEN AM LINCHER			

DTE/BCS - Scala 1:5

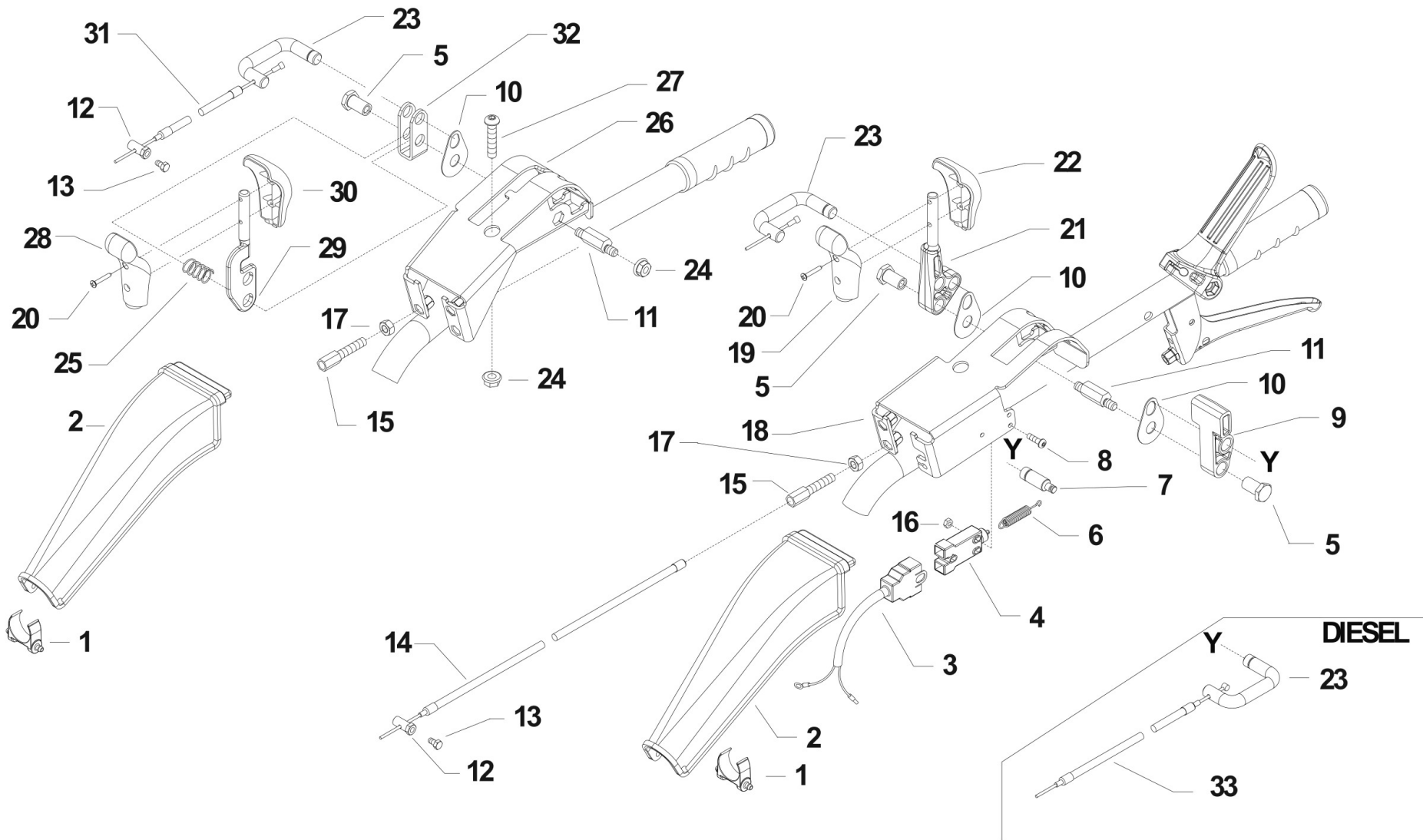


Pos.	Id	Q.ty	Description	Note
31100451	31100451	1	SCREW 3,5X25	
31112090	31112090	1	SCREW TE M6X16 UNI 5739 8G	
31121020	31121020	1	SCREW TBCEI M8X40 ISO7380 10K Z	
31121024	31121024	1	SCREW TBCEI FL.M4X25	
31211080	31211080	1	NUT M8	
31241042	31241042	1	SELFLOCK NUT M4 FL.6S	
31241084	31241084	1	SELFLOCK NUT M8 6S	
53156860	53156860	1	COMMAND LEVER	
55157212	55157212	1	GRIP	
55157213	55157213	1	GRIP	
55157214	55157214	1	GRIP	
55157215	55157215	1	GRIP	
55256197	55256197	1	MOTOR STOP LEVER	
55256835	55256835	1	PROTECTION COVER	
55256836	55256836	1	SUPPORT, ELECTRICAL BOX	
56148287	56148287	1	STUD BOLT	
58047712	58047712	1	SPRING	
58048009	58048009	1	ENGINE STOP SWITCH	
58049505	58049505	1	LINE AND SHEATH (L=1610)	
58049830	58049830	1	SPRING	
58056595	58056595	1	ADJUSTING SCREW M8	
58056837	58056837	1	WIRING	
58056843	58056843	1	LINE AND SHEATH L=980	
58056848	58056848	1	LINE AND SHEATH L=930	
59256180	59256180	1	SUPPORT	
59256850	59256850	1	SUPPORT	
52156810Z	52156810Z	1	COMMAND LEVER	
56156832Z	56156832Z	1	U BOLT	
56156834Z	56156834Z	1	INDEXING BOLT	



Pos.	Id	Q.ty	Description	Note
56156859Z	56156859Z	1	FORK	
56356833Z	56356833Z	1	SMALL PLATE	
56356840Z	56356840Z	1	CLAMPING SCREW	
56356858Z	56356858Z	1	PIN	





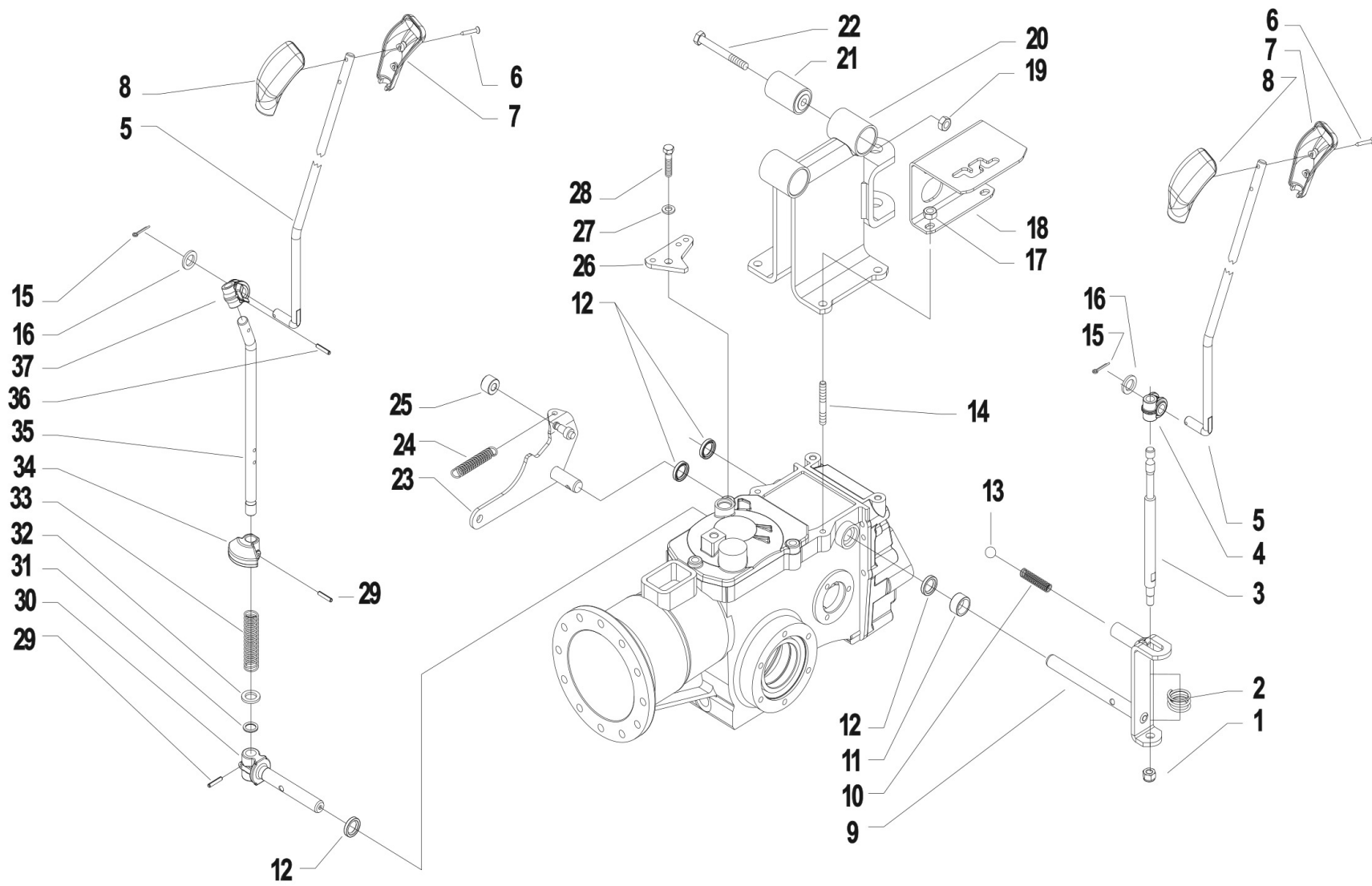
Pos.	Id	Q.ty	Description	Note
1	55256836		SUPPORT, ELECTRICAL BOX	
2	55256835		PROTECTION COVER	
3	58056837		WIRING	
4	58048009		ENGINE STOP SWITCH	
5	56148287		STUD BOLT	
6	58047712		SPRING	
7	56156834Z		INDEXING BOLT	
8	31121024		SCREW TBCEI FL.M4X25	
9	55256197		MOTOR STOP LEVER	
10	56356833Z		SMALL PLATE	
11	56356858Z		PIN	
12	56356840Z		CLAMPING SCREW	
13	31112090		SCREW TE M6X16 UNI 5739 8G	
14	58056843		LINE AND SHEATH L=980	
15	58056595		ADJUSTING SCREW M8	
16	31241042		SELFLOCK NUT M4 FL.6S	
17	31211080		NUT M8	
18	59256180		SUPPORT	
19	55157213		GRIP	
20	31100451		SCREW 3,5X25	
21	53156860		COMMAND LEVER	
22	55157212		GRIP	
23	56156832Z		U BOLT	
24	31241084		SELFLOCK NUT M8 6S	
25	58049830		SPRING	
26	59256850		SUPPORT	
27	31121020		SCREW TBCEI M8X40 ISO7380 10K Z	
28	55157215		GRIP	
29	52156810Z		COMMAND LEVER	



Pos.	Id	Q.ty	Description	Note
30	55157214		GRIP	
31	58056848		LINE AND SHEATH L=930	
32	56156859Z		FORK	
33	58049505		LINE AND SHEATH (L=1610)	L70 - 15LD350





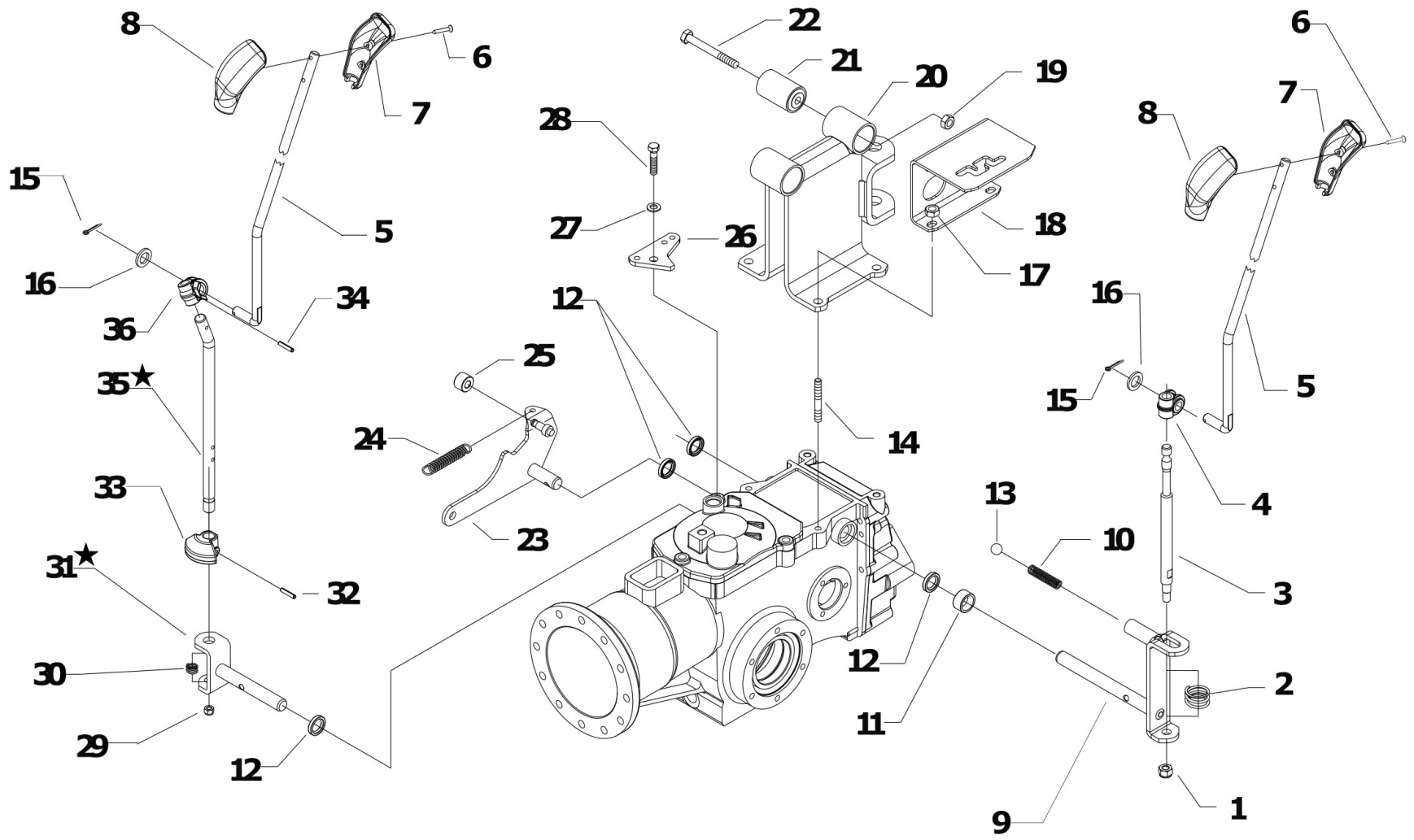


Pos.	Id	Q.ty	Description	Note
1	31241080	1	HEXAGON SELFLOCK NUT M8	
2	58057232Z	1	SPRING	
3	56356738Z	1	COMMAND LEVER	
4	55242528	1	JOINT	
5	56156792N	1	PULL ROD 2+2 ED	
6	31100451	1	SCREW 3,5X25	
7	55157213	1	GRIP	
8	55157212	1	GRIP	
9	59056735N	1	GEAR LEVER	
10	58043176	1	SPRING	
11	56157257Z	1	SPACER	
12	38211400	1	OIL SEAL 14X22X4	
13	37911532	1	BALL 15/32	
14	31312082	1	STUD BOLT M8X38X14X20	
15	34110028	1	SPLIT PIN A3X15 UNI 1336	
16	31411104	1	WASHER 10,5x18	
17	31241084	1	SELFLOCK NUT M8 6S	
18	56156734H	1	SELECTOR	
19	31241100	1	SELFLOCK HEXAGON NUT M10	
20	59056920	1	SUPPORT	
21	30010142	1	SILENT-BLOCK 10,2X30X45X49	
22	31111217	1	SCREW TE M10X75 UNI 5737 8G	
23	59057319	1	LEVER	
24	58057273	1	SPRING	
25	55257313	1	ROLLER	
26	56157274	1	SQUARE	
27	31423084	1	SPRING WASHER 8,4	
28	31112152	1	SCREW TE M8X30 UNI 5739 8G	
29	34213020	1	ROLL PIN	



Pos.	Id	Q.ty	Description	Note
30	52357250	1	PIN	
31	38111191	1	O-RING 115 (11,91X2,62)	
32	31414130	1	WASHER 13	
33	F0831193010	1	SPRING DM.15X70	
34	55257321	1	STOP	
35	56157324N	1	PTO LEVER	
36	34213024	1	ROLL PIN	
37	55248379	1	PTO JOINT	





[Click for info](#)

★ = new part

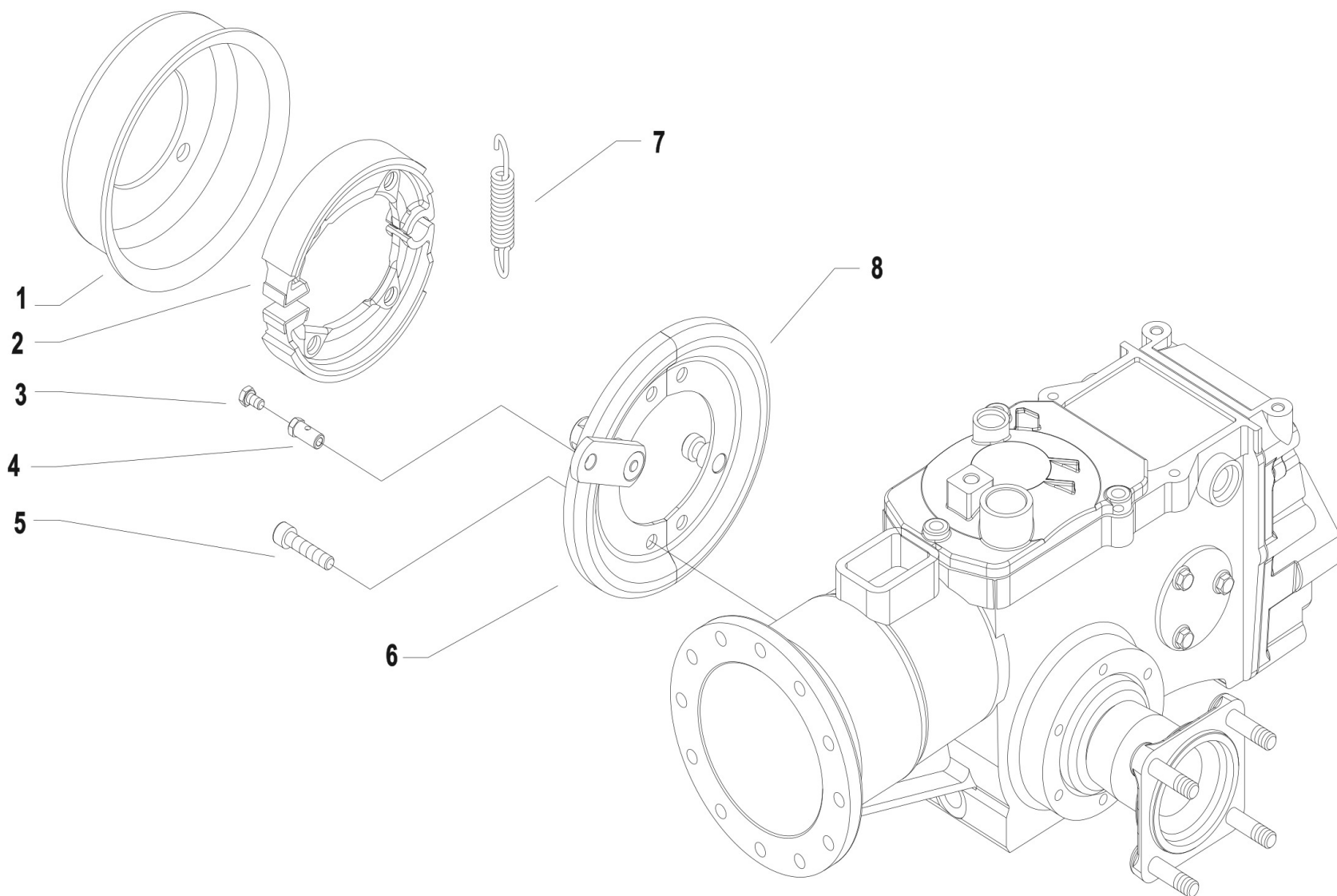


Pos.	Id	Q.ty	Description	Note
1	31241080		HEXAGON SELFLOCK NUT M8	
2	58057232Z		SPRING	
3	56356738Z		COMMAND LEVER	
4	55242528		JOINT	
5	56156792N		PULL ROD 2+2 ED	
6	31100451		SCREW 3,5X25	
7	55157213		GRIP	
8	55157212		GRIP	
9	59056735Z		GEARBOX COMPLETE LEVER	
10	58043176		SPRING	
11	56157257Z		SPACER	
12	38211400		OIL SEAL 14X22X4	
13	37911532		BALL 15/32	
14	31312082		STUD BOLT M8X38X14X20	
15	34110028		SPLIT PIN A3X15 UNI 1336	
16	31411104		WASHER 10,5x18	
17	31241084		SELFLOCK NUT M8 6S	
18	56156734H		SELECTOR	
19	31241100		SELFLOCK HEXAGON NUT M10	
20	59056920		SUPPORT	
21	30010142		SILENT-BLOCK 10,2X30X45X49	
22	31111217		SCREW TE M10X75 UNI 5737 8G	
23	59057319		LEVER	
24	58057273		SPRING	
25	55257313		ROLLER	
26	56157274		SQUARE	
27	31423084		SPRING WASHER 8,4	
28	31112152		SCREW TE M8X30 UNI 5739 8G	
29	31241080		HEXAGON SELFLOCK NUT M8	



Pos.	Id	Q.ty	Description	Note
30	58057232Z		SPRING	
31	590C1040Z		COMPLETE PTO LEVER GALV.	REPLACES 52357250 + 56157324N
32	34213020		ROLL PIN	
33	55257321		STOP	
34	34213024		ROLL PIN	
35	561C1043Z		LEVA PDF LUNGA ZNT	REPLACES 52357250 + 56157324N
36	55248379		PTO JOINT	



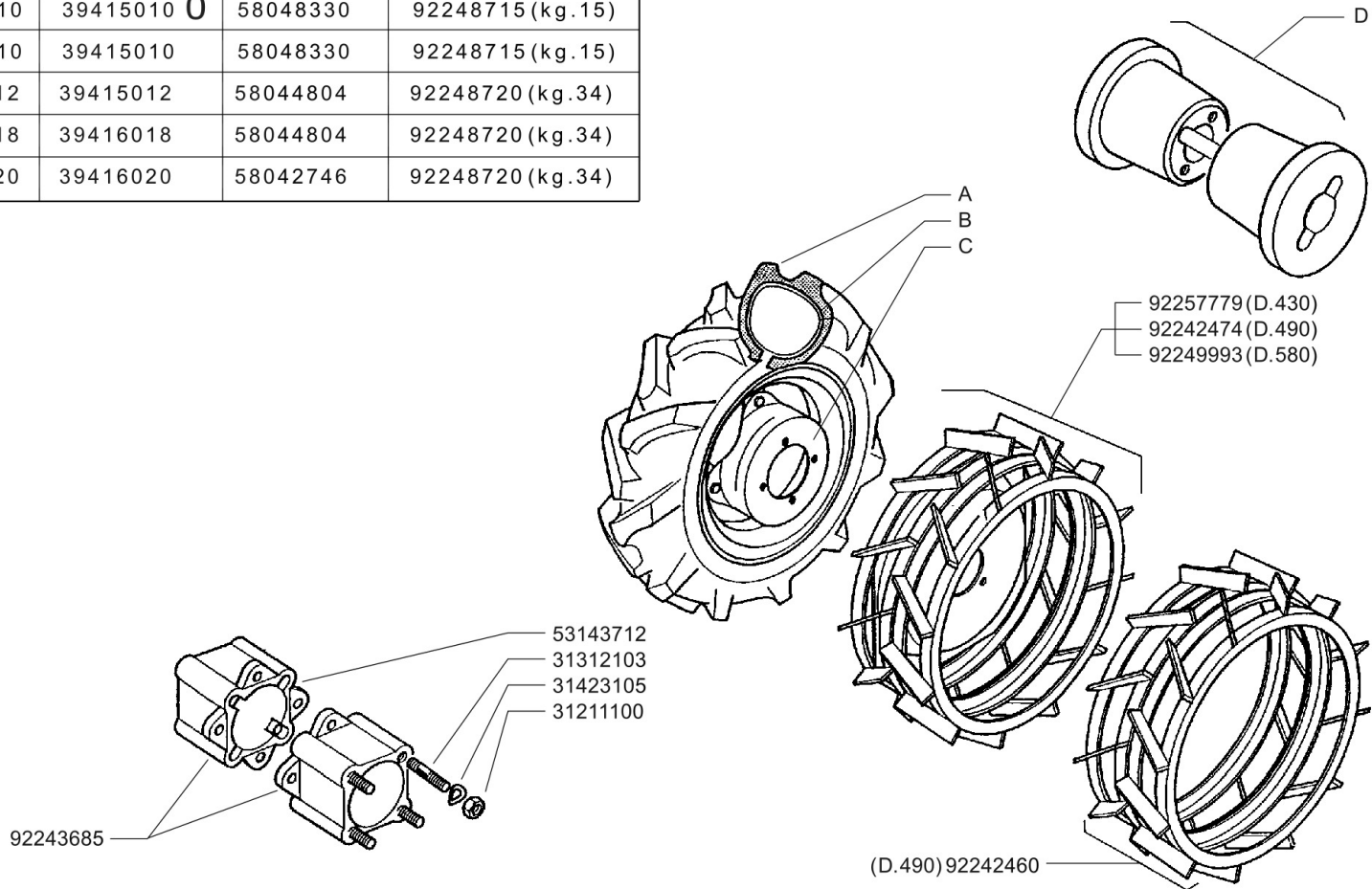


Pos.	Id	Q.ty	Description	Note
1	56148218N	1	BRAKE DRUM	
2	58048214	1	BRAKE BLOCK	
3	31112090	1	SCREW TE M6X16 UNI 5739 8G	
4	56356840Z	1	CLAMPING SCREW	
5	31152085	1	SCREW TCEI M8X25 UNI 5931	
6	59048200N	1	HALF DISC	
7	58048215	1	SPRING	
8	59048208	1	HALF DISC	





	A	B	C	D
4.00 - 8"	39114008	39414008	58043250	92243686 (kg.10)
4.0 - 10"	39114010	39415010 <b>O</b>	58048330	92248715 (kg.15)
5.0 - 10"	39115010	39415010	58048330	92248715 (kg.15)
5.00 - 12"	39115012	39415012	58044804	92248720 (kg.34)
6.5/80 - 12"	39116018	39416018	58044804	92248720 (kg.34)
6.5/80 - 15"	39116020	39416020	58042746	92248720 (kg.34)

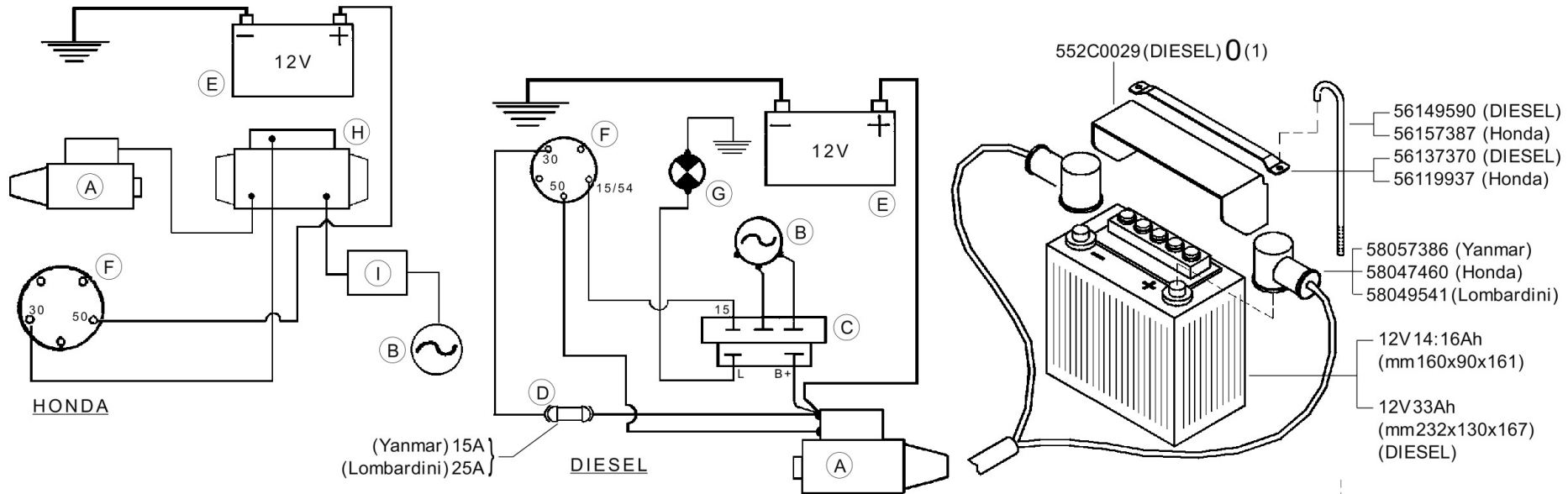


	<b>700 serie PS</b> <i>PowerSafe</i> ®	<b>RUOTE</b>  WHEELS RUEDAS  ROUES RÄDER	DALLA MACCHINA FROM THE MACHINE DE LA MACHINE DE LA MAQUINA AB DER MASCHINE	AGGIORNAMENTO REVISION MISE A JOUR APLAZAMIENTO ANPASSUNG	Rev. <b>1</b>	
			<b>ON.</b>	<b>P01</b>	<b>11/2010</b>	



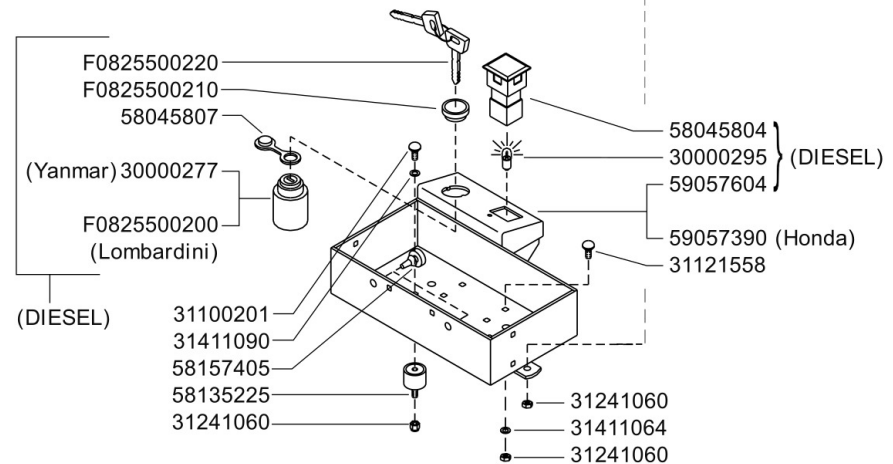
Pos.	Id	Q.ty	Description	Note
31211100	31211100	1	NUT M10	
31312103	31312103	1	STUD BOLT M10X46X24X16	
31423105	31423105	1	SPRING WASHER 10,5	
39114008	39114008	1	TYRE 4.00-8 2PR	
39114010	39114010	1	TYRE 4.0-10 2PR	
39115010	39115010	1	TYRE 5.00-10 2PR	
39115012	39115012	1	TYRE 5.00-12 2PR	
39116018	39116018	1	TYRE 6.5/80-12 2PR	
39116020	39116020	1	TYRE 6.5/80-15 4PR	
39414008	39414008	1	INNER TUBE X 4.00-8	
39415010	39415010	1	INNER TUBE X 4.0/5.0-10	
39415012	39415012	1	INNER TUBE	
39416018	39416018	1	INNER TUBE X 6-5/80-12	
39416020	39416020	1	INNER TUBE X 6.5/80-15	
53143712	53143712	1	SPACER	
58042746	58042746	1	RIM 5J15 CR	
58043250	58043250	1	RIM 2.50-8	
58044804	58044804	1	RIM 5JA12	
58048330	58048330	1	RIM 3.50D10 CR	
92242460	92242460	1	TWINNING RINGS CM 49 (PAIR)	
92242474	92242474	1	STEEL CAGE WHEELS 49 CM (PAIR) FOR XB 40	
92243685	92243685	1	WHEEL SPACERS CM 6 (PAIR)	
92243686	92243686	1	PAIR OF WEIGHTS FOR 8 WHEELS 11 KGS	
92248715	92248715	1	WEIGHTS FOR WHEELS 10 EACH KG 15 (PAIR)	
92248720	92248720	1	WEIGHTS FOR WHEELS 12 KG 34 EACH (PAIR)	
92249993	92249993		STEEL CAGE WHEELS D. 58 (PAIR)	
92257779	92257779	1	STEEL CAGE WHEELS DIAM CM 43 (PAIR) X SB20-SB30	





A	B	C	D
MOTORINOD'AVVIAMENTO STARTER DÉMARREUR MOT. DEARRANQUE ANLASSMOTOR	GENERATORE GENERATOR GÉNÉRATEUR GENERADOR GENERATOR	REGOLATORE REGULATOR RÉGULATEUR RÉGULADOR REGLER	FUSIBILI FUSES FUSIBLES FUSIBLES SCHMELZSICHERUNGEN

E	F	G	H	I
BATTERIA BATTERY BATTERIE BATERIA BATTERIE	INTERRUTTORE SWITCH INTERRUPTEUR INTERRUPTOR SCHALTER	SPIACARICABATTERIA BATTERYLONGWARN. LIGHT TEMOINCHARG. BATTERIE LUZCARGABATERIA BATTERIELADUNGKTRL. LAMPE	SOLENOIDE SOLENOID SOLÉNOÏDE SOLENOIDE SOLENOID	DIODO DIODE DIODE DIODO DIODE



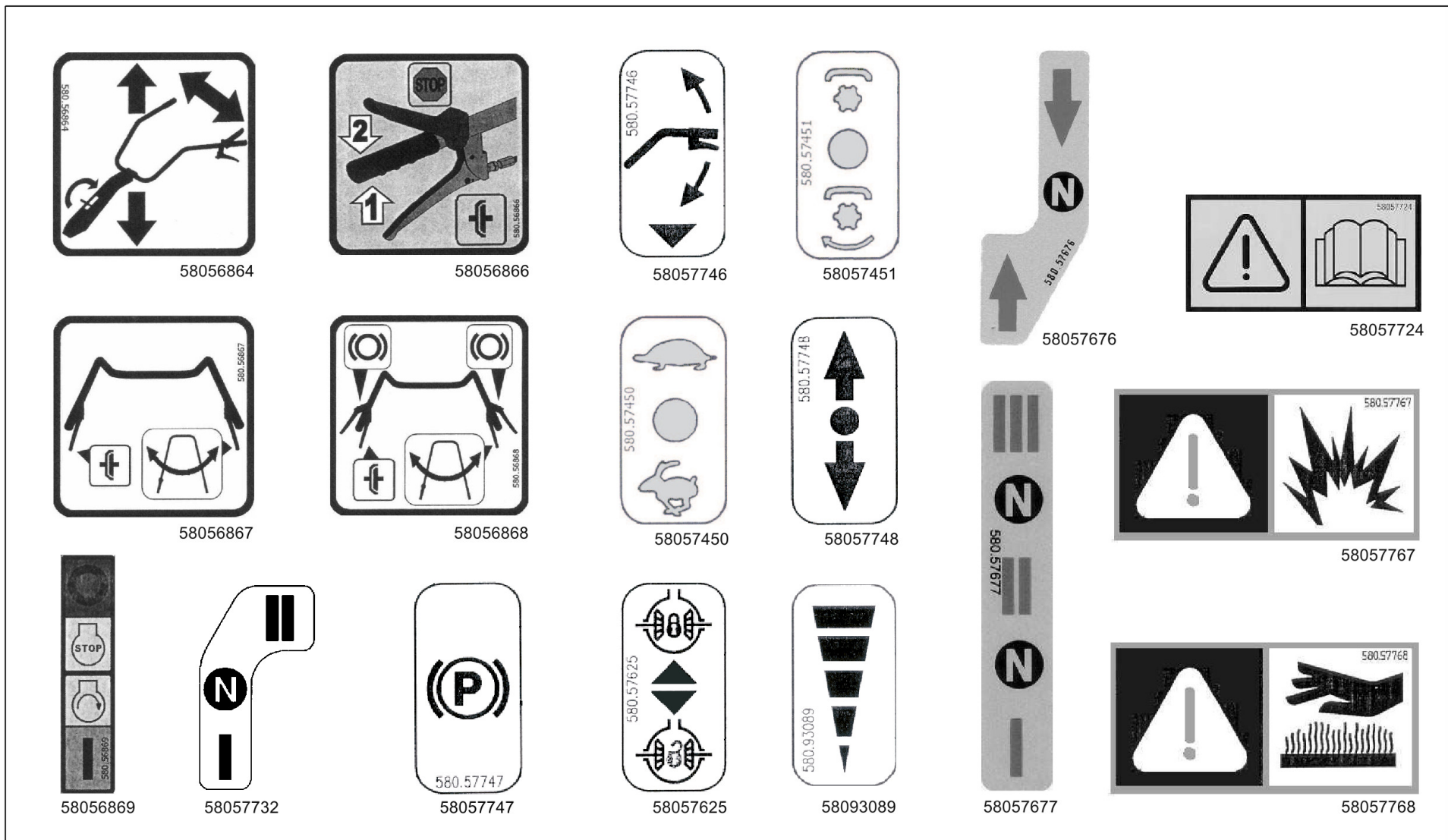
(1) sostituisce 58057610

	<b>700</b> serie <b>PS</b> PowerSafe®	<b>AVVIAMENTO ELETTRICO</b>		DALLA MACCHINA FROM THE MACHINE DE LA MACHINE DE LA MAQUINA AB DER MASCHINE	Rev. <b>1</b>
		ELECTRIC STARTER ARRANQUE ELECTRICO	DÉMARRAGE ELECTRIQUE ELEKTROSTART		



Pos.	Id	Q.ty	Description	Note
30000277	30000277	1	SWITCH	
30000295	30000295	1	LAMP 12V-5W-W2,1X9,5D	
31100201	31100201	1	SCREW TTQ M6X12 UNI 5731	
31121558	31121558		SCREW TTQ M6X16 UNI 5731	
31241060	31241060	1	HEXAGON SELFLOCK NUT M6	
31411064	31411064	1	WASHER 6,4x12,5	
31411090	31411090	1	WASHER 9x24	
552C0029	552C0029	1	COVER	
56119937	56119937	1	BATTERY SUPPORT	
56137370	56137370	1	BATTERY BRACKET	
56149590	56149590	1	BATTERY BRACKET	
56157387	56157387	1	ROD	
58045804	58045804	1	WARNING LIGHT	
58045807	58045807	1	LOCK COVER	
58047460	58047460	1	WIRING	
58049541	58049541	1	WIRING	
58057386	58057386	1	WIRING	
58135225	58135225		VIBRATION-DAMPING	
58157405	58157405	1	PLUG	
59057390	59057390	1	BOX	
59057604	59057604	1	BOX	
F0825500200	F0825500200	1	CHANGE-OVER SWITCH	
F0825500210	F0825500210	1	RING NUT	
F0825500220	F0825500220	1	KEY	





	<b>700</b> serie <b>PS</b> <i>PowerSafe</i> ®	<b>ADESIME</b>  STICKERS ADHESIVOS  AUTOCOLLANTS AUFKLEBES	DALLA MACCHINA FROM THE MACHINE DE LA MACHINE DE LA MAQUINA AB DER MASCHINE  N.	<table border="1"> <tr><td> </td></tr> <tr><td> </td></tr> <tr><td> </td></tr> <tr><td> </td></tr> </table>					<table border="1"> <tr> <td>Rev.</td> <td> </td> </tr> <tr> <td><b>R01</b></td> <td><b>0</b></td> </tr> <tr> <td colspan="2"><b>05/2009</b></td> </tr> </table>	Rev.		<b>R01</b>	<b>0</b>	<b>05/2009</b>	
Rev.															
<b>R01</b>	<b>0</b>														
<b>05/2009</b>															



Pos.	Id	Q.ty	Description	Note
58056864	58056864	1	DECAL	
58056866	58056866	1	DECAL	
58056867	58056867	1	DECAL	
58056868	58056868	1	DECAL	
58056869	58056869	1	DECAL	
58057450	58057450	1	DECAL	
58057451	58057451	1	DECAL	
58057625	58057625	1	DECAL	
58057676	58057676	1	DECAL	
58057677	58057677	1	DECAL	
58057724	58057724	1	DECAL	
58057732	58057732	1	DECAL	
58057746	58057746	1	DECAL	
58057747	58057747	1	DECAL	
58057748	58057748	1	DECAL	
58057767	58057767	1	DECAL	
58057768	58057768	1	DECAL	
58093089	58093089	1	DECAL	



**PowerSafe** <sup>®</sup>

1

**EasyDrive** <sup>®</sup>

2



11

710

3

720

4

730

5



12

740

6

746

7

750

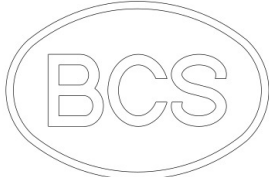
8

728

9

738

10



13



Pos.	Id	Q.ty	Description	Note
1	53057666	1	POWERSAFE BRAND	
2	53057670	1	DECAL	
3	58058452	1	DECAL 710 /11	
4	58058453	1	DECAL 720/11	
5	58058454	1	DECAL 730 /11	
6	58058455	1	DECAL 740 /11	
7	58058456	1	DECAL 746 /11	
8	58058457	1	DECAL 750 /11	
9	58058485	1	DECAL 728 /11	
10	58058484	1	DECAL 738 /11	
11	53093088	1	OVAL LOGO	
12	53048656	1	OVAL LOGO	
13	53058450	1	SMALL OVAL LOGO	

